



# ALN SURFACE MOUNT Installation Guide

SAVE THESE INSTRUCTIONS



## BEFORE YOU BEGIN

Read and follow all safety instructions



## WARNING

### RISK OF FIRE, EXPLOSION AND ELECTRIC SHOCK

- ◊ This product should be installed, inspected, and maintained by a qualified electrician only, in accordance with the NEC (National Electric Code) and all local codes.
- ◊ Turn off electrical power before inspection, installation or removal.
- ◊ Use only UL (or other NRTL) approved wire for input/output connections.
- ◊ Minimum size 18 AWG or 14 AWG for continuous runs.
- ◊ Make sure LEDs and drivers are cool to touch when performing maintenance.
- ◊ Make sure the supply voltage is the same as the rated voltage of the luminaire.
- ◊ Do not install in a hazardous atmosphere, except where the ambient temperature does not exceed the rated operating temperature of the fixture.
- ◊ Keep tightly closed when in operation



## Prepare Electrical Wiring



### Electrical Requirements

- ◊ The LED driver must be supplied with the voltage specified on the product label and connected to an individual, properly grounded branch circuit protected by a 20 ampere circuit breaker. Use min. 75°C supply.



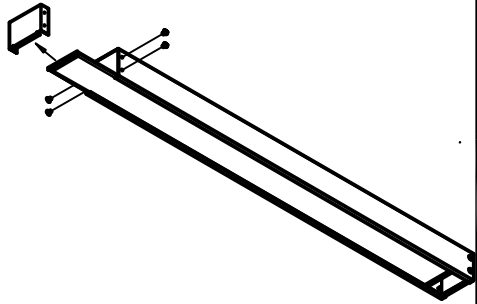
### Grounding Instructions

- ◊ The grounding and bonding of the overall system shall be done in accordance with NEC Article 600 and local codes



# ALN SURFACE MOUNT Installation Guide

1. REMOVE SURFACE MOUNT HOUSING END BY REMOVING 4 SCREWS AND SLIDE FLAT PANEL OUT OF SURFACE MOUNT HOUSING



## SURFACE MOUNT

HSG. ASSY.  
SCREWS AND WASHERS BY OTHERS

SURFACE MOUNT WITH 1/4"-20 SCREWS AND WASHERS TO A REINFORCED CEILING. 6 SCREWS FOR 4FT. 12 SCREWS FOR 8FT.

## CABLE OPTION

HSG. ASSY.

TOGGLE

PUSH TOGGLE THRU HOUSING HOLE PULL ON CABLE TO HOLD IN PLACE. REPEAT FOR ALL (4) CORNERS.

## PENDANT OPTION

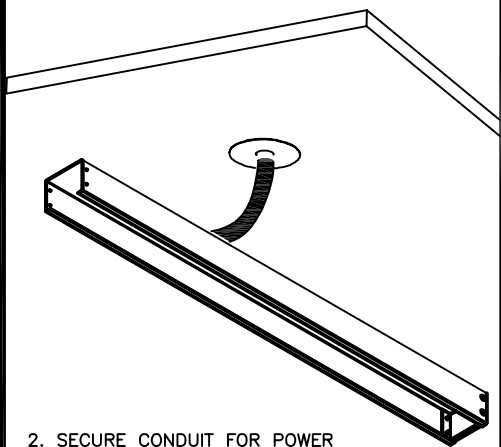
RIGID PENDANT INTO EACH END AND/OR CENTER KO

HEX NUT

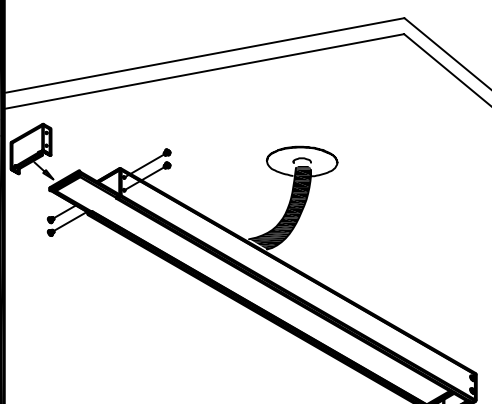
REMOVE 7/8" KO FOR PENDANT.

HSG. ASSY.

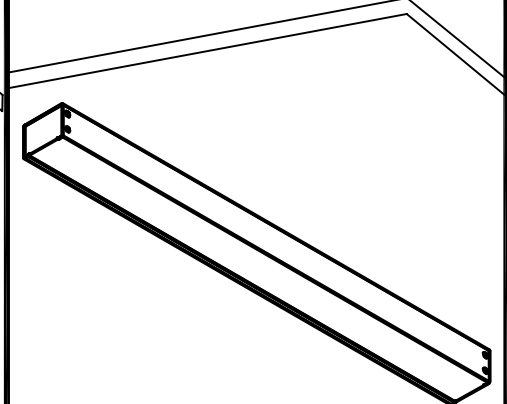
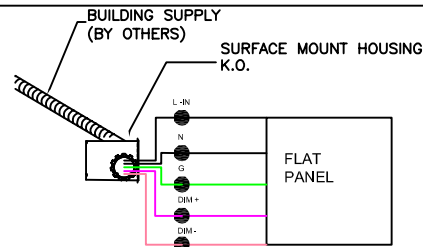
HEX NUT TO RETAIN THE PENDANT



2. SECURE CONDUIT FOR POWER TO SURFACE MOUNT HOUSING VIA .875" K.O.s IN BACK OF HOUSING.



3. SLIDE THE FLAT PANEL PART WAY INTO THE SURFACE MOUNT HOUSING. MAKE WIRING CONNECTIONS TO SURFACE MOUNT PANEL.



4. SLIDE THE FLAT PANEL ALL THE WAY INTO THE SURFACE MOUNT HOUSING. SECURE THE END WITH THE FOUR SCREWS PROVIDED.

INSTALLATION COMPLETED. FIXTURE READY TO POWER ON.