



AirLink™ Blue Integrated Multi Range Motion & Daylight Sensor (ALBMR)

Wireless Lighting Control Sensor



Features & Specifications



Description

- The AirLink Blue fixture integrated, multi-range, motion and daylight harvesting sensor provides wireless lighting control based on motion and available ambient daylight. Multiple fixtures can be grouped to be controlled by a single sensor
- Controls 0-10 VDC LED drivers and is rated for indoor installations
- Control parameters are adjustable via an iOS App capable of storing and transmitting sensor profiles
- Ceiling motion and daylight harvesting sensor utilizes a Bluetooth Low Energy (BLE) mesh network
- 360 degree quad element PIR motion sensor can be configured as an occupancy or occupancy and daylight harvesting sensor
- The addition of an AirLink Blue Time Keeper adds the ability to schedule multiple events based on time of day or Astronomical clock

Construction

- Constructed of white ABS
- Rated for indoor and outdoor installations

Electrical

- Class 2 device with a 0-10V configurable dimming output
- Operates on 12-24 VDC from either 120-277V power pack or driver with auxiliary output
- Low voltage power provided by driver auxiliary outputs

Controls

- Multiple fixtures can be grouped and controlled by motion and daylight harvesting sensors
- Programmable settings include motion sensing length of time delays and sensor sensitivity
- Parameter profiles, password protection and real time feedback from the sensor can speed up configuration and provide custom user control
- 2 mounting heights / lens options; 8 -15 ft (2.5 - 5 m) and 16 - 40 ft (5 - 12 m). Results may vary based on mounting height, temperature, types of clothing and backgrounds
- Max Bluetooth range is 200' line of sight and highly dependent on the integration of fixtures, surrounding environment. It is recommended to conduct testing for range accuracy

Installation

- The multi-range motion and daylight harvesting sensor is designed to be installed integrated into a luminaire
- Operating temperature range of 0°C to +50°C (-40°F to 122°F)

Warranty

- LSI luminaires carry a 5-year limited warranty. Refer to <https://www.lsicorp.com/resources/terms-conditions-warranty/> for more information

Listings

- FCC
- Bluetooth
- UL

AirLink™ Blue
Technology Partner **SILVAIR**



Catalog #: _____ Project: _____ Type: _____

Prepared By: _____ Date: _____

ORDERING GUIDE

TYPICAL ORDER EXAMPLE: ALBMR1

Prefix	Description
ALBMR1	AirLink Blue Integrated Multi-Range Motion And Daylight Harvesting Sensor, 8' to 15' mounting heights
ALBMR2	AirLink Blue Integrated Multi-Range Motion And Daylight Harvesting Sensor, 16' to 40' mounting heights



Need more information?
[Click here for our glossary.](#)

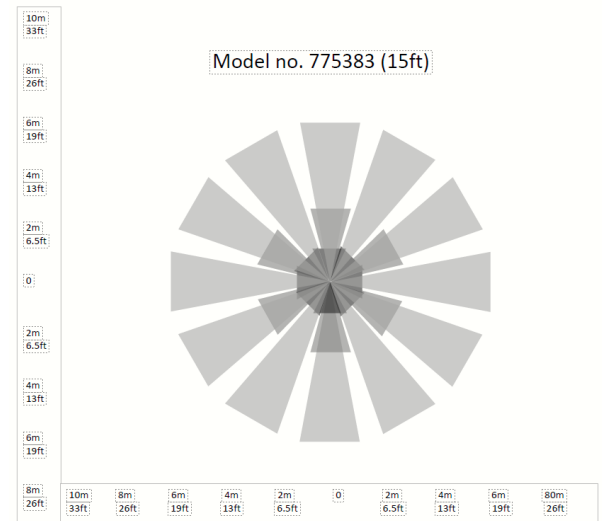
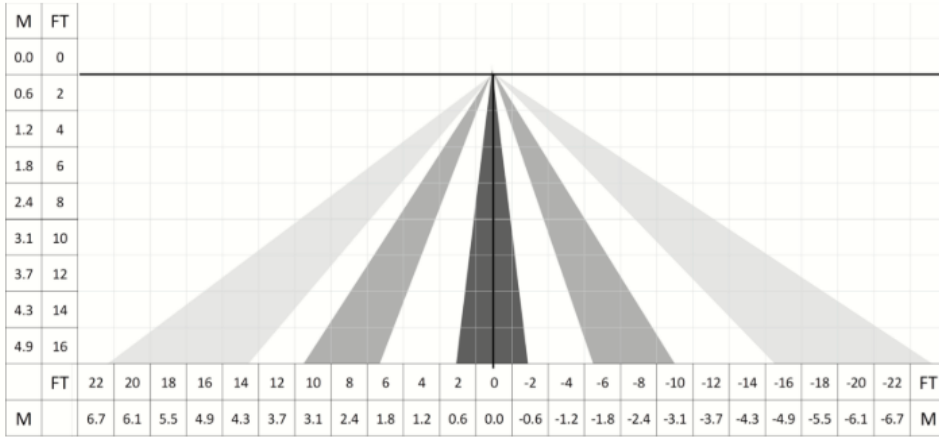
Have additional questions?
 Call us at (800) 436-7800



PERFORMANCE

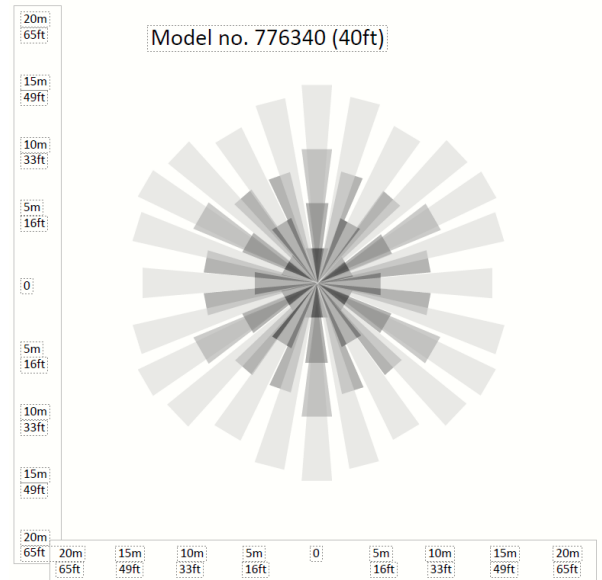
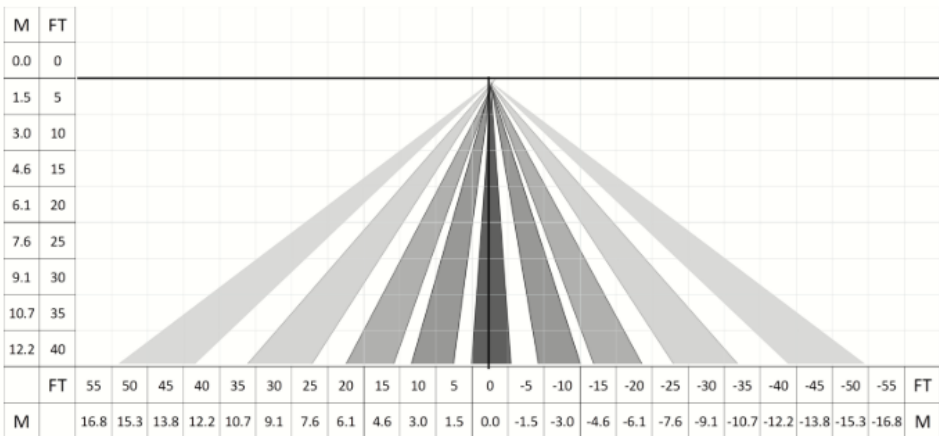
ALBMR1

Model no. 775383 (15ft)



ALBMR2

Model no. 776340 (40ft)

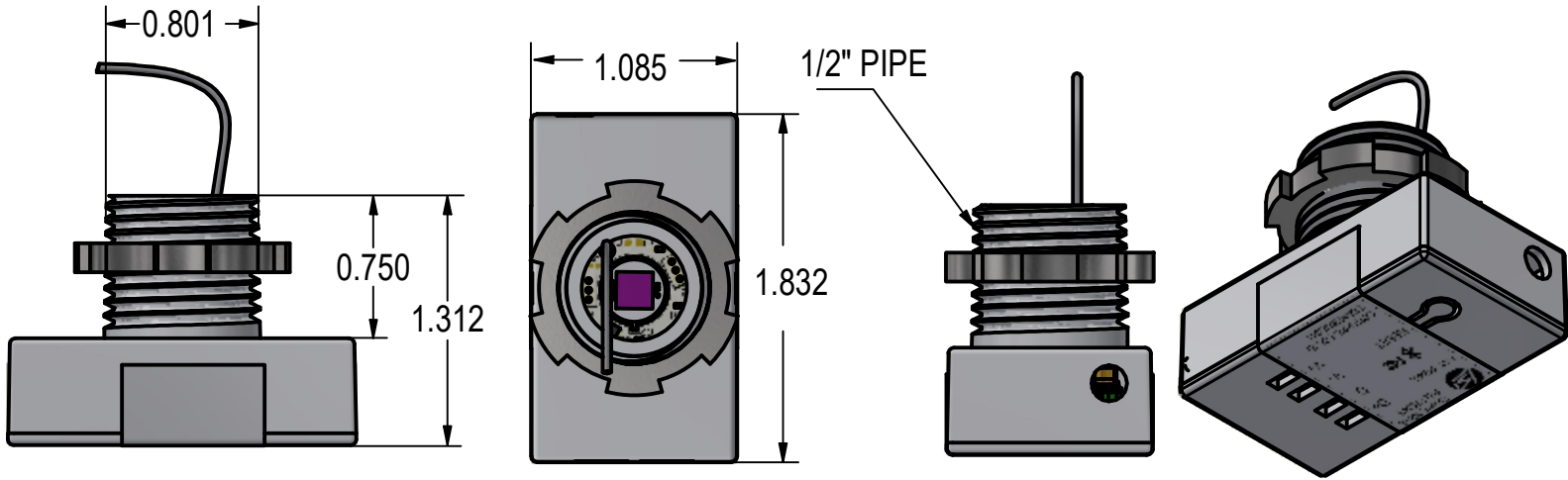




Catalog #: _____ Project: _____ Type: _____

Prepared By: _____ Date: _____

DIMENSIONS



PRODUCT WIRING

