



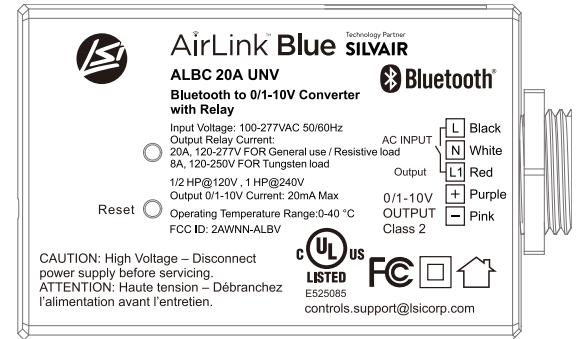
AirLink™ Blue (ALBCPL 20A UNV)

20 amp Controller for Plug Loads



OVERVIEW	
Signal (wireless)	Bluetooth
Signal Range ft (m)	100 (30)
Output, Relay Current (A)	20
Operating Temperature F (C)	32 - 122 (0 - 50)

QUICK LINKS



FEATURES & SPECIFICATIONS

The AirLink Blue 20 amp controller for plug loads can add any receptacle into the AirLink Blue wireless mesh system through simple power feed wiring. A maximum of 20 amps of electrical load can be wired to the controller for seamless wireless integration allowing for receptacle group control as well as remote sensor and manual device control. The plug load controller can receive communication from sensors to control the on and off functions of the receptacle based on occupancy to meet code requirements. Utilizes a Qualified Bluetooth Mesh network. Programming features can be set through the LSi AirLink Blue iOS app.

Construction

- Housing is white polycarbonate
- Incorporates a threaded chase and nut for installation in fixture or junction box knock-out
- Built-in 20mA 0-1 0V signal output, with 20A relay
- All devices on 0-1 0V line are broadcast controlled by Silvoir Commissioning tools
- UL listed. Category: PAZX (Management Equipment, Energy). UL 2043 Plenum Rated
- 5-year warranty

Operations

- Utilizes a Qualified Bluetooth Mesh network
- Built-in 20mA 0-1 0V signal output, with 20A relay
- Single fixture or multiple fixtures can be wired to the controller. Controllers can be grouped to be wirelessly controlled by sensors, manual devices and a timekeeper.
- Max Bluetooth range is 100' (30m) line of sight and highly dependent on the integration of fixtures, surrounding environment. It is recommended to conduct testing for range accuracy.

Electrical

- 120-277VAC, 50-60Hz controller.
- 20A max input current / 120VAC = 2,400W, 277VAC = 5,540W

Installation

- Designed for installation on the exterior of a luminaire housing or on a junction box utilizing chase and knock-out.
- Rated for use in 32° F to 122°F (0°C to 50°C) environments.

Warranty

- 5-year limited warranty. Refer to <https://www.lsicorp.com/resources/terms-conditions-warranty/> for more information.

Listings

- Bluetooth
- CE
- FCC
- UL

AirLink™ Blue
Technology Partner **SILVAIR**

AirLink™ Blue (ALBCPL 20A UNV) 20 amp Controller for Plug Loads

Type: _____

 Have questions? Call us at (800) 436-7800

ORDERING GUIDE

TYPICAL ORDER EXAMPLE: ALBCPL 20A UNV

Order Number Prefix	Description	Part Number
ALBCPL 20A UNV	AirLink Blue Controller for Plug Loads (20A)	797937

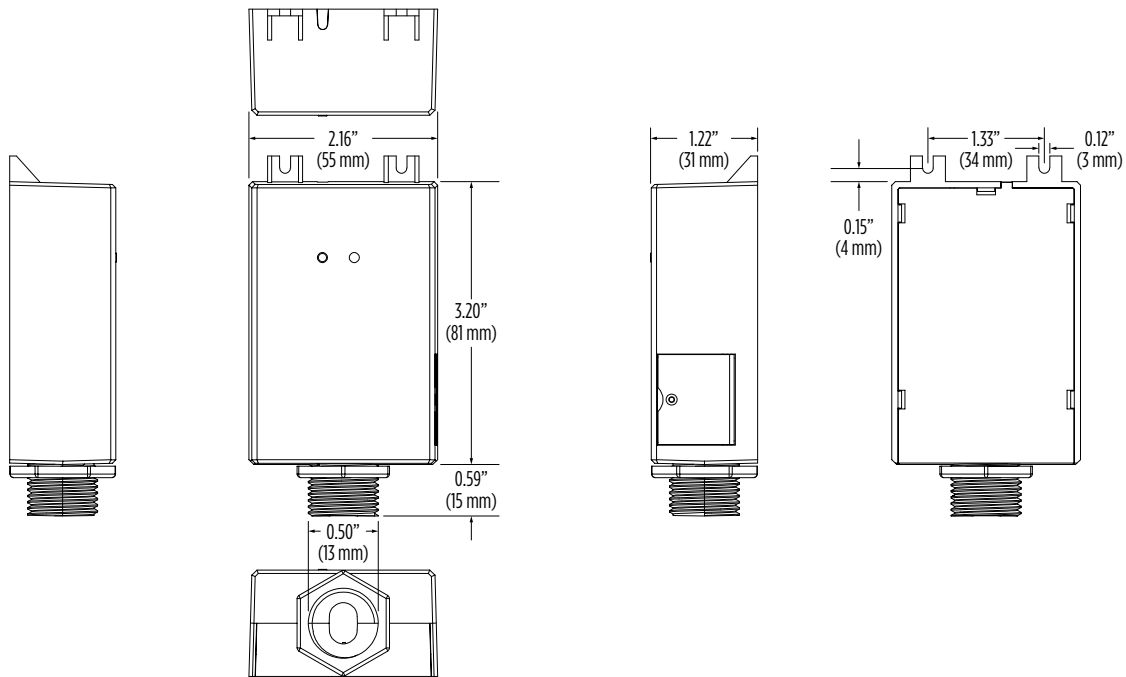


Need more information?
[Click here for our glossary.](#)

Have additional questions?
 Call us at (800) 436-7800



PRODUCT DIMENSIONS



WIRING

0-10V Dimming with Relay

