



AirLink™ Blue Control Module (ALBC)

Wireless Lighting Control



OVERVIEW

Signal (wireless)	Bluetooth
Signal Range ft (m)	100 (30)
Operating Temp F (C)	-4 - 140 (-20 - 60)

QUICK LINKS

FEATURES & SPECIFICATIONS

Description

- The AirLink Blue in fixture lighting control module provides wireless lighting control connectivity for fixtures. Multiple fixtures can be grouped to be controlled by remotely mounted sensors and wall mounted manual override devices.
- Controls 0-10 VDC LED drivers and is rated for indoor installations.
- Control parameters are adjustable via an iOS App capable of storing and transmitting sensor profiles.
- The addition of an AirLink Blue Time Keeper adds the ability to schedule multiple events based on time of day or Astronomical clock.

Construction

- Constructed of white ABS.
- Fresnel lens options for mounting heights up to 40 feet
- Rated for indoor installations

Electrical

- Class 2 device with a 0-10V configurable dimming output

- Operates on 12-24 VDC from either a 120-277V power pack or auxiliary output driver
- Low voltage power provided by driver auxiliary outputs

Controls

- Multiple fixtures can be grouped and controlled by a single ceiling motion and daylight harvesting sensor.
- Programmable settings include motion sensing length of time delays and sensor sensitivity
- Parameter profiles, password protection and real time feedback from the sensor can speed up configuration and provide custom user control.
- Max sensor coverage area 8.2' radius at 8ft mounting height (5m at 2.5m mounting height). Results may vary based on mounting height, temperature, types of clothing and backgrounds.
- Max Bluetooth range is 100' (30m) line of sight and highly dependent on the integration of fixtures, surrounding environment. It is recommended to conduct testing for range accuracy.

Installation

- Designed for installation and integration into the housing of a luminaire.
- PIR detection is 360° coverage pattern and is best suited for areas with a clear line of sight and good air circulation.
- Operating temperature range of 0°C to +45°C (32°F to 113°F).

Warranty

- 5-year limited warranty. Refer to <https://www.lsicorp.com/resources/termsconditions-warranty/> for more information.

Listings

- FCC
- IC
- Bluetooth
- CE
- UL

AirLink™ Blue Control Module (ALBC)

Type: _____

 **Have questions?** Call us at (800) 436-7800

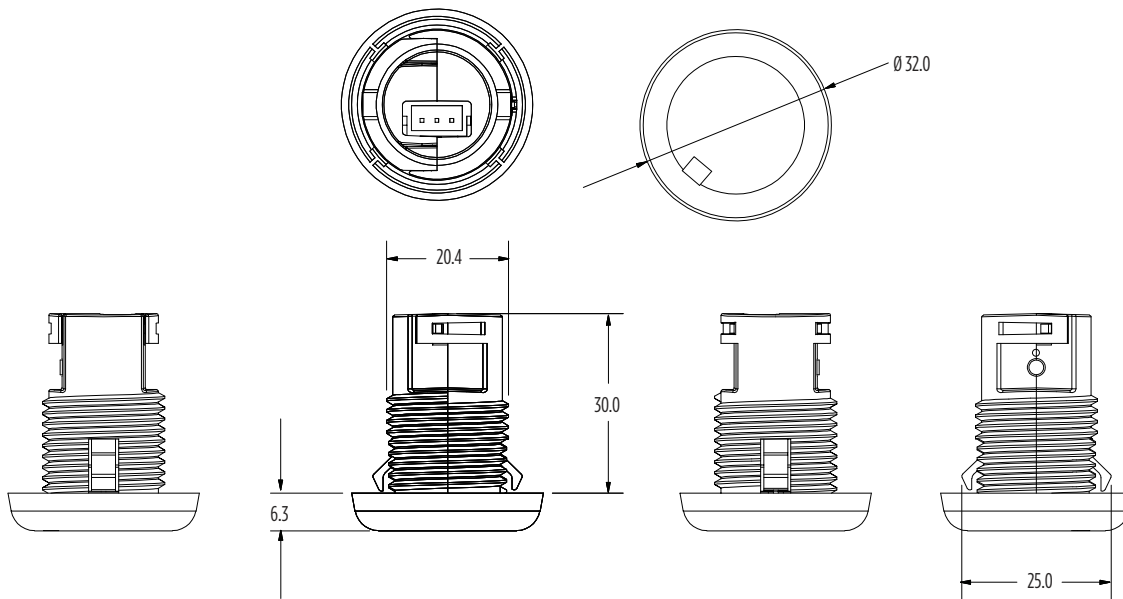
ORDERING GUIDE

TYPICAL ORDER EXAMPLE: ALBC		
Prefix	Description	Part Number
ALBC	AirLink Blue Control Module	809710

Need more information?
Click here for our glossary

Have additional questions?
Call us at (800) 436-7800

PRODUCT DIMENSIONS



WIRING

