



Catalog #: _____ Project: _____ Type: _____

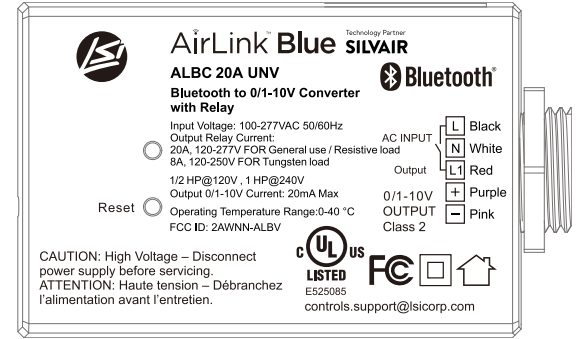
Prepared By: _____ Date: _____

AirLink™ Blue (ALBC 20A UNV)

20 amp Controller



OVERVIEW	
Signal (wireless)	Bluetooth
Signal Range ft (m)	100 (30)
Output, Relay Current (A)	20
Operating Temperature F (C)	32 - 122 (0 - 50)



QUICK LINKS

FEATURES & SPECIFICATIONS

The AirLink Blue 20 amp controller can add any fixture into the AirLink Blue wireless mesh system through simple switch-leg wiring. Single fixtures or multiple fixtures up to 20 amps of electrical load can be wired to the controller for seamless wireless integration allowing for group control as well as remote sensor and manual device control. Utilizes a Qualified Bluetooth Mesh network. Light levels and schedules can be set through the LSi AirLink Blue iOS app.

Construction

- Housing is white polycarbonate
- Incorporates a threaded chase and nut for installation in fixture or junction box knock-out
- Built-in 20mA 0-1 0V signal output, with 5A relay
- Mesh network, which has a much longer control distance, transmits received signals to neighboring devices
- All devices on 0-1 0V line are broadcast controlled by Silvaire Commissioning tools
- UL listed. Category: PAZX (Management Equipment, Energy). UL 2043 Plenum Rated
- 5-year warranty

Operations

- Utilizes a Qualified Bluetooth Mesh network
- Built-in 20mA 0-1 0V signal output, with 20A relay
- Single fixture or multiple fixtures can be wired to the controller. Controllers can be grouped to be wirelessly controlled by sensors, manual devices and a timekeeper.
- Max Bluetooth range is 100' (30m) line of sight and highly dependent on the integration of fixtures, surrounding environment. It is recommended to conduct testing for range accuracy.

Electrical

- 120-277VAC, 50-60Hz controller.
- 20A max input current / 120VAC = 2,400W, 277VAC = 5,540W

Installation

- Designed for installation on the exterior of a luminaire housing or on a junction box utilizing chase and knock-out.
- Rated for use in 32° F to 122°F (0°C to 50°C) environments.

Warranty

- 5-year limited warranty. Refer to <https://www.lsicorp.com/resources/terms-conditions-warranty/> for more information.

Listings

- Bluetooth
- CE
- FCC
- UL

AirLink™ Blue
 Technology Partner SILVAIR

AirLink™ Blue (ALBC 20A UNV) 20 amp Controller

Type : _____

Have questions? Call us at (800) 436-7800

ORDERING GUIDE

TYPICAL ORDER EXAMPLE: ALBC 20A UNV

Order Number Prefix	Description	Part Number
ALBC 20A UNV	AirLink Blue Controller (20A)	797936

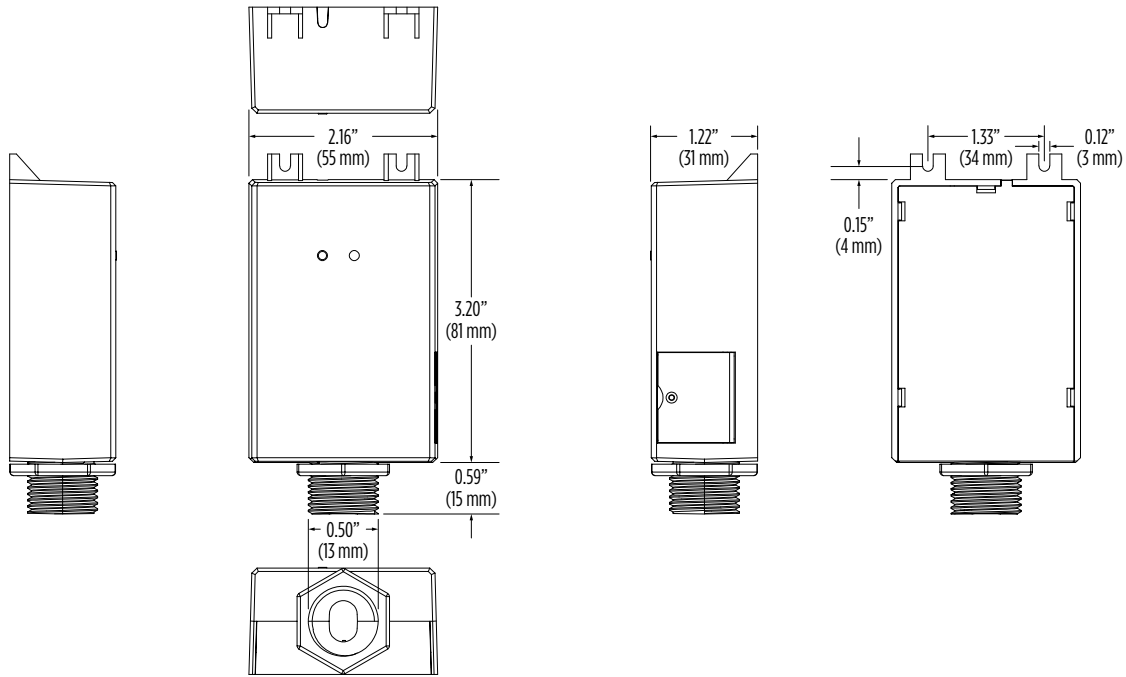


Need more information?
[Click here for our glossary.](#)

Have additional questions?
 Call us at (800) 436-7800



PRODUCT DIMENSIONS



WIRING

0-10V Dimming with Relay

