

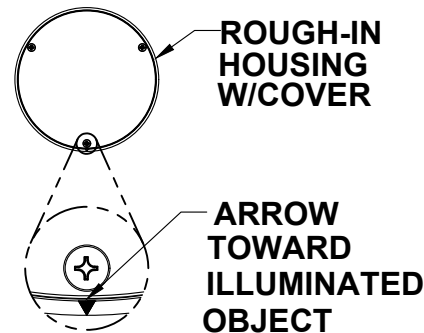
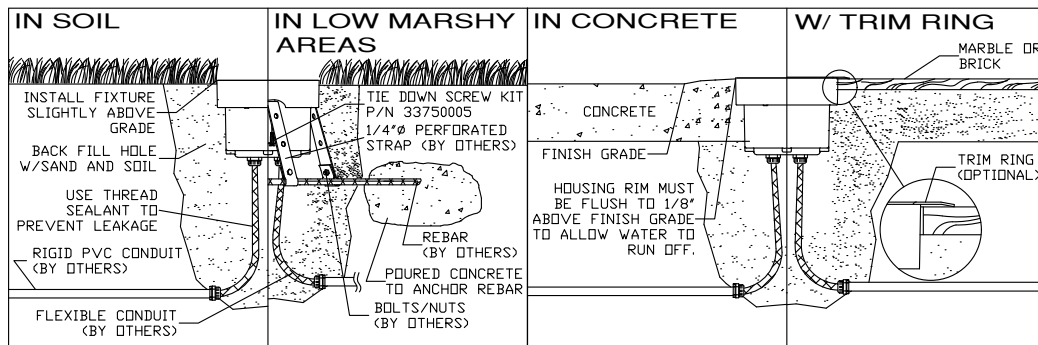
XIG INSTALLATION INSTRUCTIONS

- WARNING:** BEFORE PROCEEDING, READ ALL INSTRUCTIONS CAREFULLY TO INSURE PROPER AND SAFE INSTALLATION.
- WARNING:** RISK OF FIRE OR ELECTRICAL SHOCK. DISCONNECT POWER BEFORE INSTALLING OR SERVICING.
- WARNING:** RISK OF ELECTRICAL SHOCK. MAKE CERTAIN LINE VOLTAGE CORRESPONDS WITH DRIVERS PRIMARY VOLTAGE. (SEE DRIVER LABEL)
- WARNING:** ALL WIRING TO BE PERFORMED PER NATIONAL ELECTRICAL CODE AND LOCAL CODE BY A QUALIFIED ELECTRICIAN.
- WARNING:** FAILURE TO FOLLOW THE INSTRUCTIONS COULD RESULT IN DAMAGE TO THE PRODUCT AND VOID ALL WARRANTIES!
- NOTE:** THIS PRODUCT MUST BE INSTALLED IN ACCORDANCE WITH APPLICABLE INSTALLATION CODE BY A PERSON FAMILIAR WITH THE CONSTRUCTION AND OPERATION OF THE PRODUCT AND THE HAZARDS INVOLVED
- NOTE:** NO USER SERVICEABLE PARTS. CONTACT FACTORY ONLY.

TOOLS REQUIRED FOR INSTALLATION: #3 PNT PHILLIPS SCREWDRIVER
#2 PNT PHILLIPS SCREWDRIVER

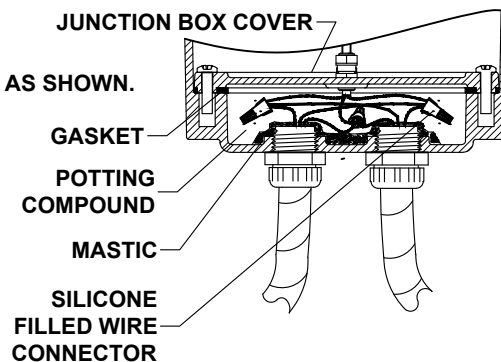
ROUGH-IN HOUSING INSTALLATION:

- EXCAVATE HOLE APPROXIMATELY 10" DEEP BY 15" IN DIAMETER. CONNECT NON-METALLIC LIQUID TIGHT CONDUIT TO JBOX. USE TEFLON TAPE OR PIPE SEALANT ON CONDUIT FITTINGS TO PREVENT WATER ENTRY INTO JBOX. PULL SUPPLY LEADS, CONNECT & SEAL AS NOTED BELOW.
- INSTALL ROUGH-IN HOUSING PER APPROPRIATE FIGURE BELOW. MAKE SURE THE ARROW ON THE HOUSING IS TOWARD ILLUMINATED OBJECT.
- BACK FILL HOLE WITH SAND AND SOIL FOR STABILITY. DO NOT BACK FILL WITH BARK OR VERMICULITE.



ROUGH-IN SECTION WIRING:

- REMOVE ROUGH-IN HOUSING COVER.
- CONNECT SUPPLY CONDUCTORS 120-277V TO BLK, COM TO BLU, GND TO BRN. SEE LEAD MARKING LABELS IN JUNCTION BOX. USE SILICONE FILLED WIRE NUTS.
- SEAL CONDUIT ENTRIES FROM INSIDE THE JUNCTION BOX USING THE MASTIC PROVIDED TO SEAL AROUND THE LEADS.
- MIX POTTING COMPOUND PER INSTRUCTIONS ON ENVELOPE. POT JUNCTION BOX MAKING CERTAIN THE CONDUIT OPENINGS ARE COVERED BY THE COMPOUND AS SHOWN.
- INSTALL JUNCTION BOX COVER AND GASKET WITH THE FOUR SCREWS AS SHOWN. TORQUE SCREWS TO 30-40 IN./LBS. TORQUE FOR PROPER SEAL.
- RE-INSTALL ROUGH-IN HOUSING COVER AND TIGHTEN THE SCREWS SNUGLY TO PREVENT DIRT/WATER ENTRY.



ROUGH-IN HOUSING COVER MUST BE LEFT IN PLACE DURING INSTALLATION OF ROUGH-IN HOUSING TO PREVENT ENTRY OF DIRT/WATER. DO NOT REMOVE COVER UNTIL FINAL INSTALLATION OF FINISHING SECTIONS!



A Company with a *Smart Vision*

XIG INSTALLATION INSTRUCTIONS

CAUTION:
**FIXTURE HOUSING MUST BE FREE OF DIRT & MOISTURE PRIOR TO
 INSTALLATION OF ALL FINISHING SECTION MODULES!**

XIG FINISHING SECTION INSTALLATION:

TOOLS REQ'D FOR INSTALLATION:

- #3 PNT PHILLIPS SCREWDRIVER
- TORX T-30 DRIVER

1. ROUGH-IN HOUSING MUST BE FREE OF DIRT AND WATER! CLEAN IS THE KEY! VACUUM AND WIPE ANY DIRT OR MOISTURE FROM RIH. MAKE SURE GASKET IS IN PLACE AS SHOWN.
2. REMOVE IP68 CAP FROM RIH CONNECTOR. CONNECT XIG MODULE TO RIH CONNECTOR & TIGHTEN CONNECTOR BODY UNTIL ROTATION STOPS.
3. INSTALL XIG MODULE WITH MOUNTING TOOL. ALIGNING XIG MODULE WITH ARROW ON ROUGH-IN HOUSING AS SHOWN IN FIGURE. TIGHTEN SCREWS PROVIDED. TORQUE SCREWS TO 40-45 IN./LBS. TORQUE 3X.
4. USING AIMING ADJUSTMENT TOOL TO ADJUST OPTIC AIMING ANGLE.

ALIGNING XIG MODULE
 WITH ARROW ON
 ROUGH-IN HOUSING



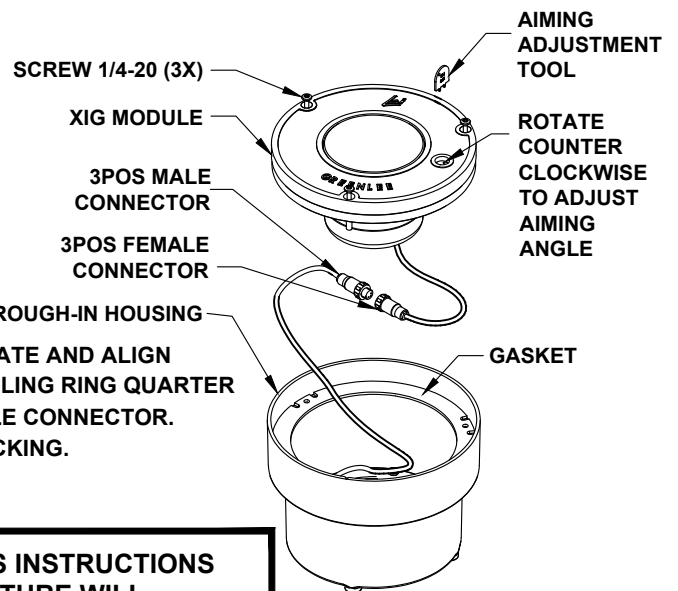
MAINTENANCE:

ACCUMULATED DEBRIS/MINERALS ON THE LENS CAN CAUSE EXCESSIVE HEAT BUILD-UP RESULTING IN PREMATURE END OF LIFE. THE LENS MUST BE CLEANED REGULARLY WITH A MINERAL DISSOLVING CLEANER.



IT IS THE RESPONSIBILITY OF THE CONTRACTOR TO:

1. ENSURE THE FIXTURE IS PROPERLY INSTALLED.
2. ENSURE THE FIXTURE IS GROUNDED IN ACCORDANCE WITH APPLICABLE LOCAL, STATE, AND NATIONAL ELECTRICAL CODES.
3. INSTRUCT THE OWNER IN THE REQUIRED MAINTENANCE.
4. CONNECT 3POS MALE AND FEMALE CONNECTOR, MAKE SURE TO LOCATE AND ALIGN BOTH CONNECTOR PINS & FEATURE, ONCE JOINED ROTATE THE COUPLING RING QUARTER TURN ON MALE SIDE CONNECTOR TO SECURE BOTH MALE AND FEMALE CONNECTOR.
 NOTE: PULL MALE AND FEMALE CONNECTOR TO ENSURE PROPER LOCKING.



FAILURE TO FOLLOW THE MANUFACTURER'S INSTRUCTIONS OR MAKING ANY MODIFICATIONS TO THE FIXTURE WILL AUTOMATICALLY VOID THE WARRANTY. FIXTURE FAILURES RESULTING FROM POOR MAINTENANCE WILL NOT BE COVERED BY THE WARRANTY.