

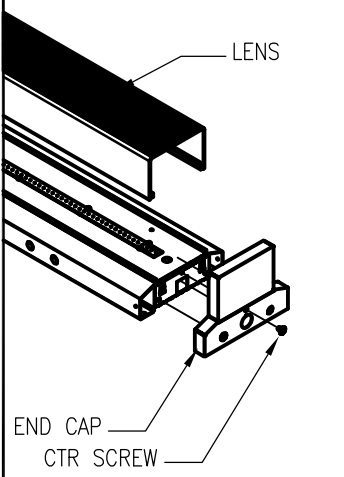
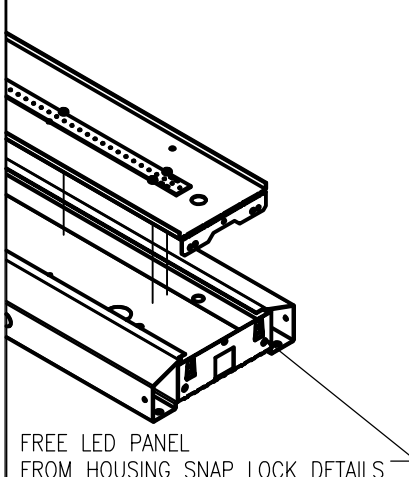
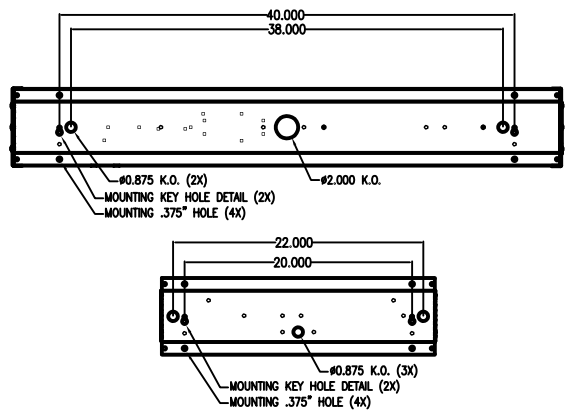
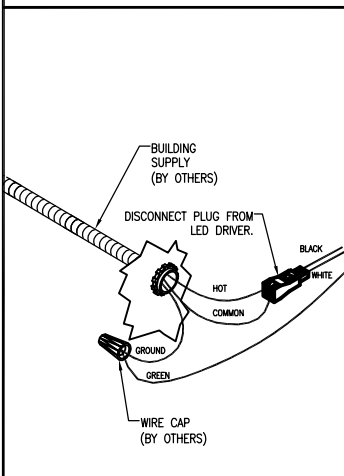
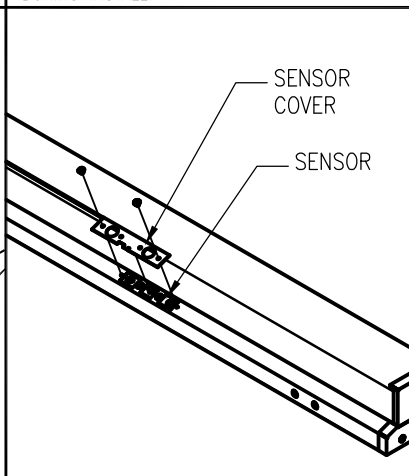
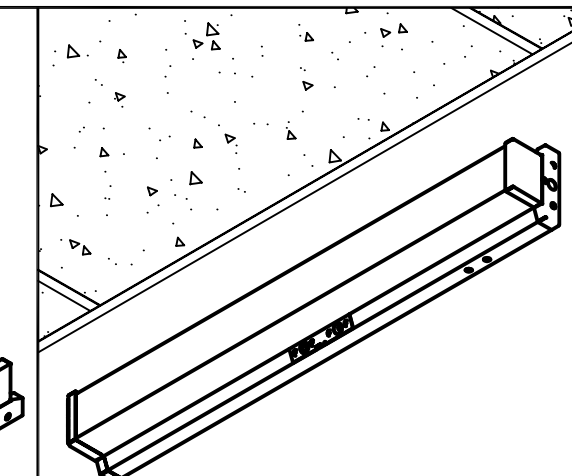
SW SERIES INSTALLATION AND ASSEMBLY INSTRUCTIONS

WARNING: Before proceeding, read all instructions carefully to insure proper and safe installation.

WARNING: Risk of fire or electrical shock. Disconnect power before installing or servicing.

WARNING: Risk of electrical shock. High temperatures inside luminaire. Make certain line voltage corresponds with ballast's primary voltage. (See ballast label).

WARNING: All wiring to be performed per National Electrical Code and local code by a qualified electrician.

 <p>1.) REMOVE END CAPS & LENS. END CAPS REMOVED VIA SCREW IN CENTER OF END CAP</p>	 <p>2.) REMOVE LED PANEL TO ACCESS DRIVER & FOR MOUNTING PURPOSES. LED PANEL CAN VIA SAFETY TETHERS DURING INSTALL.</p>	 <p>2.) LAYOUT MOUNTING CENTER LOCATION ON WALL FOR INSTALLATION. MOUNT FIXTURE TO WALL WITH APPROPRIATE FASTENERS.</p>
 <p>3.) MAKE APPROPRIATE WIRE CONNECTIONS. REATTACH LED PANEL, LENS & END CAPS</p>	 <p>6.) ENERGIZE CIRCUIT. REMOVE SENSOR COVER TO ADJUST SETTINGS. REFER TO SENSOR MANUFACTURE INSTRUCTIONS. REPLACE SENSOR COVER WHEN FINISHED.</p>	 <p>7.) FIXTURE IS NOW INSTALLED.</p>

LSI INDUSTRIES INC.
10000 Alliance Road
Cincinnati, Ohio 45242
(513)793-3200 Fax (513)793-0147
www.lsi-industries.com

Installation Questions?
Call LSI Field Service Department at:
1-800-436-7800 Ext. 3300 Fax 877-861-1368