



Catalog #: \_\_\_\_\_ Project: \_\_\_\_\_

Prepared By: \_\_\_\_\_ Date: \_\_\_\_\_ Type: \_\_\_\_\_

# 88-Series Wraparound Retrofit Kit

## High-Performance LED Retrofit Kit



### OVERVIEW

Form Factors (ft)	2, 4, 8
Lumen Range (lm)	1,500 - 10,650
CCT (K)	3500, 4000, 5000
Wattage Range (W)	12 - 70
Efficacy Range (LPW)	130 - 153
Weight lbs (kg)	6 (2.7) 12 (5.4) 24 (10.8)

### QUICK LINKS

[Ordering Guide](#)[Performance](#)[Dimensions](#)

## FEATURES & SPECIFICATIONS

### Construction

- Light engine tray constructed of 22-gauge sheet metal
- Designed specifically to upgrade LSI's popular 88-series Fluorescent Wraparound
- Retrofit kit ships with diffuse acrylic lens with enhanced impact resistance

### Optical System

- Extruded high transmission acrylic lens with additive for impact resistance
- Prismatic diffuse lens with ribbed sides to eliminate glare for high visual comfort
- Minimum color rendering index of 80 (CRI)
- Up to 1% enhanced dimming

### Electrical

- High-performance programmable driver features overvoltage, under voltage, short-circuit and over temperature protection. Custom lumen and wattage options available.
- Meets FCC Part 15 EMI/EMC requirements
- 0-10V dimming (1%-100%) standard

- Standard Universal Voltage (120-277 VAC) Input 50/60 Hz
- L70 Calculated Life: >100K hours
- Total Harmonic Distortion: <20%
- Power factor: >.95
- Optional 120-277V 10W integral emergency battery pack is available to meet critical life-safety standby lighting requirements. A test switch/indicator button will be installed in the light engine tray

### Controls

- Optional microwave sensor for motion sensing
- Available with AirLink™ Blue. AirLink Blue (ALB) is a low-power wireless Bluetooth mesh control system. ALB provides significant energy savings while ensuring code compliance and security.
- The integrated fixture sensor module (both microwave and PIR available) can control multiple luminaires based on motion or daylight and events can be scheduled based on time of day or an astronomical clock.

- The integrated AirLink Blue fixture controller can be used to dim the fixture based on motion or daylight levels monitored by external ALB sensors.

### Installation

- Installs into existing LSI 88-series fluorescent wraparound fixtures
- Existing fixture hardware can be reused
- Installation requires no tools

### Warranty

- Complete warranty terms located at <https://www.lsicorp.com/resources/terms-conditions-warranty/>
- 1 Year warranty on optional Battery Backup. Test regularly in accordance with local codes

### Listings

- Listed to UL 1598 and UL 8750
- Suitable for damp locations
- Meets Buy American Act requirement - BAA/TAA Compliant





# 88-Series High-Performance Retrofit Kit

## ORDERING GUIDE

[Back to Quick Links](#)TYPICAL ORDER EXAMPLE: **88RK 4 LED SS 840 UE ALBCSD**

Prefix	Size	Technology	Light Output	CCT & CRI	Vin	Options
<b>88RK</b>	2 - 2ft 4 - 4ft 8 - 8ft	<b>LED</b>	<b>SS</b> - Super Saver <b>HO</b> - High Output	<b>835</b> <b>840</b> <b>850</b>	<b>UE</b> - 120-277V Universal Input Voltage	<b>EM</b> - Standby battery backup <b>IMWS1</b> - Integral Microwave Motion Sensor <b>ALBC</b> - AirLink Blue Fixture Controller <b>ALBCWS</b> - AirLink Blue Microwave Motion Sensor <b>ALBCSD</b> - AirLink Blue Wireless Motion and Daylight Harvesting Sensor

**FOOTNOTES:**

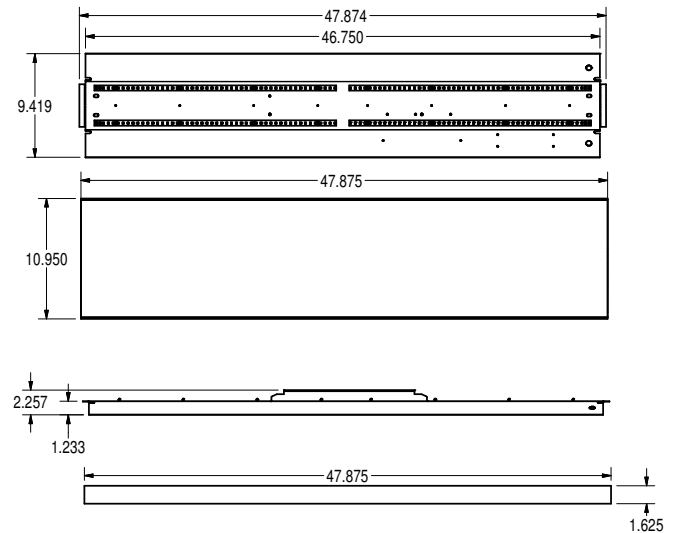
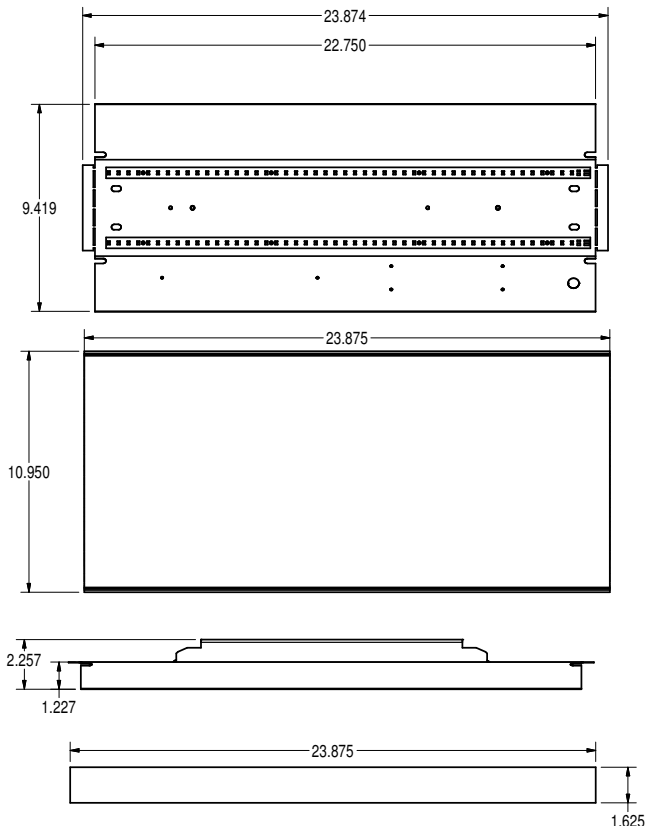
1. Optional microwave motion sensor has a detection range of up to 45ft and adjustable sensitivity from 20% - 100%  
[Click here to learn more about the integral microwave sensor IMWS1.](#)

## PERFORMANCE

[Back to Quick Links](#)

DELIVERED LUMENS								
Length	Lumen Package	Wattage	3500K CCT		4000K CCT		5000K CCT	
			Delivered Lumens	Efficacy	Delivered Lumens	Efficacy	Delivered Lumens	Efficacy
2'	SS	12	1,571	131	1,598	133	1,668	139
2'	HO	18	2,375	132	2,381	132	2,485	138
4'	SS	23	3,260	142	3,243	141	3,441	150
4'	HO	35	5,075	145	5,013	143	5,319	152
8'	SS	45	6,520	145	6,486	144	6,882	153
8'	HO	70	10,150	145	10,026	143	10,638	152

## PRODUCT DIMENSIONS

[Back to Quick Links](#)



# 88-Series High-Performance Retrofit Kit

## PRODUCT DIMENSIONS

