



Scottsdale® Legacy (CRUS SM)

Surface Mount Canopy



OVERVIEW

Lumen Package (lm)	5,000 - 22,000
Wattage Range (W)	38 - 152
Efficacy Range (LPW)	114 - 156
Weight lbs (kg)	32 (14.5)

QUICK LINKS

FEATURES & SPECIFICATIONS

Construction

- Features a ultra-slim 11/16" profile die-cast housing, with flat clear tempered glass lens attached to a die formed steel adaptor panel. Unit is water-resistant, sealed and IP66 rated.
- Standard color is white and is finished with LSI's DuraGrip® polyester powder coat process. DuraGrip withstands extreme weather changes without cracking or peeling.
- Luminaire assembly incorporates a pressure stabilizing vent breather to prevent seal fatigue and failure.

Optical System

- Features an array of select, mid-power, high brightness, high efficiency LED; 3000K, 4000K, 5000K color temperature, 80 CRI (nominal).
- Symmetric distribution provides a uniform distribution.
- Six Lumen Packages: 5,000, 9,000, 10,000, 13,000, 18,000 and 22,000 Lumens.

Electrical

- High performance factory programmable driver features over-voltage, under voltage, short-circuit and over temperature protection with integral 6kV surge protection that meets IEEE C62.41.2 and ANSI C82.77-5 Location Category C Low standards.

- Additional field replaceable 10kV surge protection device meets a minimum Category C Low operation (per ANSI/IEEE C62.41.2). Custom lumen and wattage packages available.
- Driver components are fully encased in potting for moisture resistance. Complies with IEC and FCC standards. 0-10 V dimming supplied standard with all drive currents.
- Universal voltage power supply, 120-277 VAC, 50/60 HZ and 347-480 VAC, 50/60 HZ input.
- -40°C to 55°C (-40°F to 131°F) ambient operating temperature. (Varies based on lumen package and mounting style see performance data for specifics.)
- Minimum 60,000 to 100,000 hours depending upon the ambient temperature of the installation location (see performance data for specifics.)

Installation

- One-person installation.
- Tether holds pre-assembled optical unit. Adaptor panel hinges simplifying wiring. Driver is pre-mounted to back of CRUSK RECU assembly.
- Superkit enables retrofit of many existing recessed canopy fixtures (including LSI, Whiteway and Jet-Philips) without having to know the dimensions of the existing fixture.

Warranty

- LSI luminaires carry a 5-year limited warranty. Refer to <https://www.lsicorp.com/resources/terms-conditions-warranty/> for more information.

Listings

- UL and ETL listed to UL 1598, UL 8750 and other U.S. and International safety standards. Suitable for wet locations.
- Meets Buy American Act requirements.
- IDA compliant with 3000K or lower color temperature.
- DesignLights Consortium® (DLC) qualified product. Not all versions of this product may be DLC qualified. Please check the DLC Qualified Products List at www.designlights.org/QPL to confirm which versions are qualified.

Scottsdale® Legacy (CRUS SM) Surface Mount Canopy

Type: _____

 Have questions? Call us at (800) 436-7800

ORDERING GUIDE

TYPICAL ORDER EXAMPLE: CRUS SM SC LED VHO 50 UE WHT							
Prefix	Distribution	Light Source	Distribution	Color Temperature	Input Voltage	Finish	Options
CRUS SM (Recessed)	SC - Standard Symmetric	LED	SLW - Super Low Watt VLW - Very Low Watt LW - Low Watt SS - Super Saver HO - High Output VHO - Very High Output	50 - 5000K 40 - 4000K 30 - 3000K	UE - Universal Voltage 120 - 277V 347 - 480 Volt	WHT - White BLK - Black BRZ - Bronze	None



Need more information?
[Click here for our glossary.](#)

Have additional questions?
Call us at (800) 436-7800



1. AC distribution utilizes a reflector which alters the look from a standard SC distribution.

PERFORMANCE

Delivered Lumens											
Lumen Package	Distribution	3000K CCT			4000K CCT			5000K CCT			Wattage
		Delivered Lumens	Efficacy	BUG Rating	Delivered Lumens	Efficacy	BUG Rating	Delivered Lumens	Efficacy	BUG Rating	
VHO	SC	21301	140	B4-U0-G2	21835	144	B4-U0-G2	22697	150	B4-U0-G2	152
	AC	17355	114	B3-U0-G3	17799	117	B3-U0-G3	18502	122	B3-U0-G3	
HO	SC	17889	143	B3-U0-G1	18346	146	B3-U0-G2	19071	152	B4-U0-G2	125
	AC	14582	116	B3-U0-G2	14955	119	B3-U0-G2	15546	124	B3-U0-G2	
SS	SC	13113	141	B3-U0-G1	13449	144	B3-U0-G1	13980	150	B3-U0-G1	93
	AC	11468	123	B3-U0-G2	11761	126	B3-U0-G2	12226	131	B3-U0-G2	
LW	SC	10457	144	B3-U0-G1	10724	148	B3-U0-G1	11148	154	B3-U0-G1	73
	AC	9145	126	B2-U0-G2	9379	129	B2-U0-G2	9749	134	B2-U0-G2	
VLW	SC	8783	146	B3-U0-G1	9008	149	B3-U0-G1	9364	155	B3-U0-G1	60
	AC	7681	127	B2-U0-G1	7878	131	B2-U0-G1	8189	136	B2-U0-G1	
SLW	SC	5585	146	B2-U0-G1	5728	150	B2-U0-G1	5954	156	B2-U0-G1	38
	AC	4884	128	B1-U0-G1	5009	131	B1-U0-G1	5207	136	B1-U0-G1	

*LEDs are frequently updated therefore values are nominal.

Electrical Data - Current Draw AMPS							
Lumen Package	Wattage	120V	208V	240V	277V	347V	480V
VHO	152	1.27	0.73	0.64	0.55	0.44	0.32
HO	124	1.03	0.6	0.52	0.45	0.36	0.26
SS	92	0.77	0.44	0.38	0.33	0.27	0.19
LW	72	0.6	0.35	0.3	0.26	0.21	0.15
VLW	60	0.5	0.29	0.25	0.22	0.17	0.13
SLW	38	0.32	0.18	0.16	0.14	0.11	0.08

*Electrical data at 25C (77F). Actual wattage may differ by +/-10%.

Operating Temperature		
Lumen Package	Mounting	Max
VHO	Metal/Wood Canopy	45 C
HO	Metal/Wood Canopy	45 C
SS	Metal/Wood Canopy	55 C

Recommended Lumen Maintenance ¹ CRUS SM VHO					
Ambient Temp C	Initial ²	25k hr ²	50k hr ²	75k hr ³	100k hr ³
0 C	102%	97%	92%	88%	84%
10 C	102%	97%	92%	88%	84%
20 C	102%	97%	92%	88%	84%
25 C	102%	97%	92%	88%	84%
30 C	102%	97%	92%	88%	84%
40 C	101%	95%	90%	85%	80%
50 C	101%	94%	89%	83%	78%

Recommended Lumen Maintenance ¹ CRUS SM SS					
Ambient Temp C	Initial ²	25k hr ²	50k hr ²	75k hr ³	100k hr ³
0 C	102%	97%	92%	88%	84%
10 C	102%	97%	92%	88%	84%
20 C	102%	97%	92%	88%	84%
25 C	102%	97%	92%	88%	84%
30 C	102%	97%	92%	88%	84%
40 C	102%	97%	92%	88%	84%
50 C	101%	95%	91%	86%	82%

1 - Lumen maintenance values at 25 °C are calculated per TM-21 based on LM-80 data and in-situ luminaire testing.

2 - In accordance with IESNA TM-21-11, Projected Values represent interpolated value based on time durations that are within six times (6X) the IESNA LM-80-08 total test duration (in hours) for the device under testing (DUT) i.e. the packaged LED).

3 - In accordance with IESNA TM-21-11, Calculated Values represent time durations that exceed six times NA LM-80-08 total test duration (in hours) for the device under testing (DUT) i.e. the packaged LED).

PHOTOMETRICS

Luminaire photometry has been conducted by a NVLAP accredited testing laboratory in accordance with IESNA LM-79-08. As specified by IESNA LM-79-08 the entire luminaire is tested as the source resulting in a luminaire efficiency of 100%.

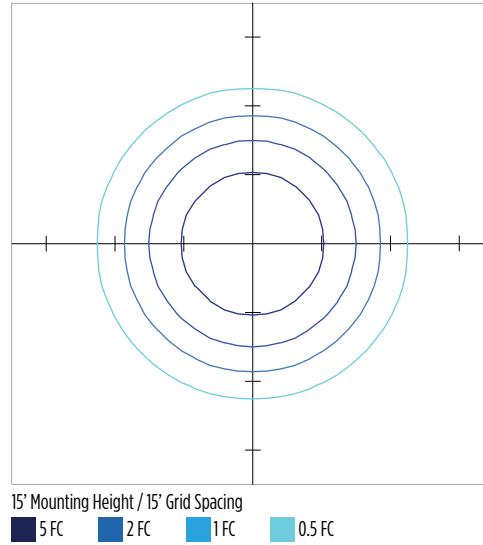
See the individual product page on <https://www.lsicorp.com/> for detailed photometric data.

CRUS-SM-SC-SS-50

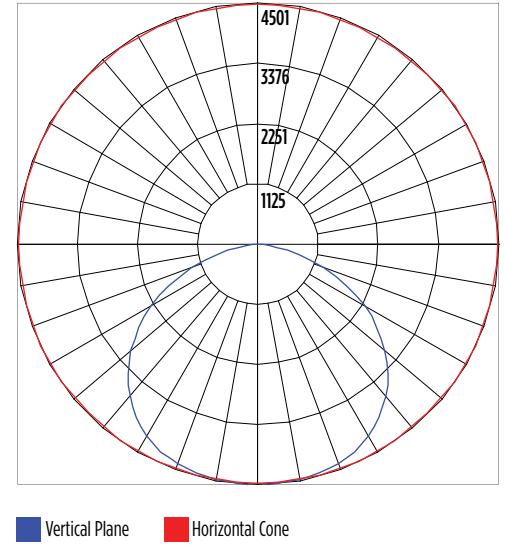
Luminaire Data	
Type 5 Distribution	
Description	5000 Kelvin, 80 CRI
Delivered Lumens	13,980
Watts	93
Efficacy	150
IES Type	Type VS - Very Short
BUG Rating	B3-U0-G1

Zonal Lumen Summary		
Zone	Lumens	% Luminaire
Low (0-30°)	3654.2	26%
Medium (30-60°)	7541.2	54%
High (60-80°)	2641.4	19%
Very High (80-90°)	143.2	1%
Uplight (90-180°)	0	0%
Total Flux	13980	100%

ISO FOOTCANDLE



POLAR CURVE

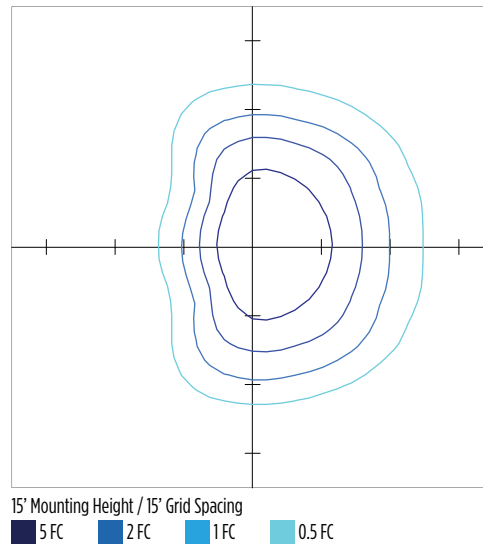


CRUS-SM-AC-SS-50

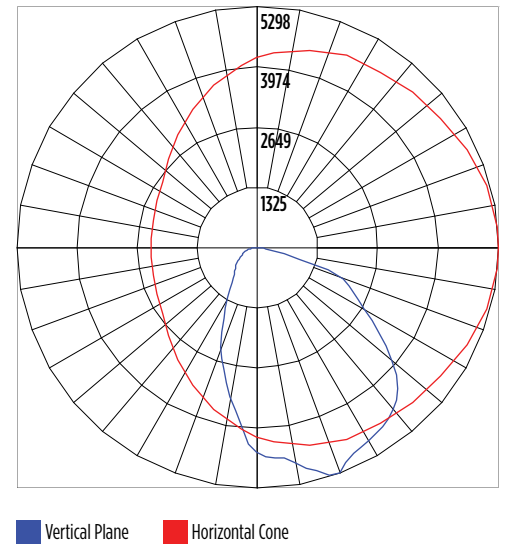
Luminaire Data	
Type 5 Distribution	
Description	5000 Kelvin, 80 CRI
Delivered Lumens	12,226
Watts	93
Efficacy	131
IES Type	Type III, Very Short
BUG Rating	B3-U0-G2

Zonal Lumen Summary		
Zone	Lumens	% Luminaire
Low (0-30°)	3240.3	27%
Medium (30-60°)	6245.5	51%
High (60-80°)	2594.6	21%
Very High (80-90°)	146.1	1%
Uplight (90-180°)	0	0%
Total Flux	12227	100%

ISO FOOTCANDLE



POLAR CURVE

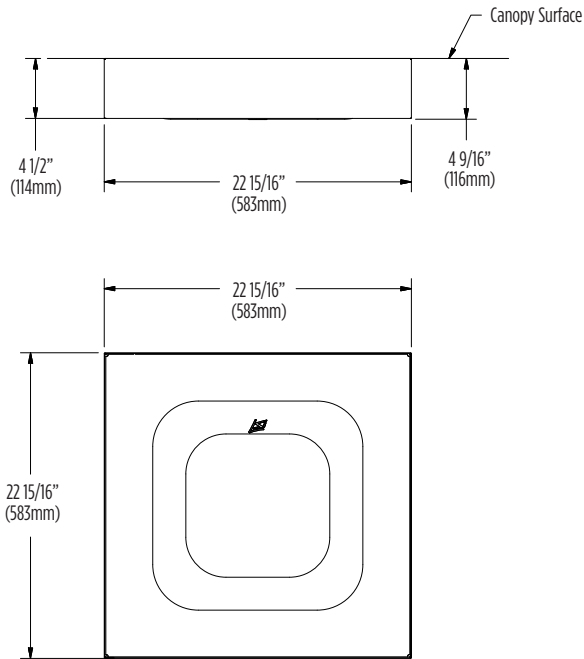


Scottsdale® Legacy (CRUS SM) Surface Mount Canopy

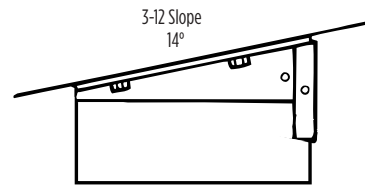
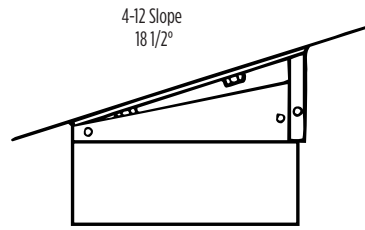
Type: _____

 Have questions? Call us at (800) 436-7800

PRODUCT DIMENSIONS



SLOPE SURFACE ADAPTOR – SSA ACCESSORY



TOGGLE CABLE HANGER

