



Scottsdale® Legacy (CRUS DDM)

LED Double Deck Mount Canopy Luminaire



IP66



OVERVIEW

Lumen Package	5,000 - 22,000
Wattage Range	38 - 152
Efficacy Range (LPW)	114 -156
Weight lbs(kg)	18 (8.2)

QUICK LINKS

[Ordering Guide](#)[Performance](#)[Photometrics](#)[Dimensions](#)

FEATURES & SPECIFICATIONS

Construction

- Features a ultra-slim 11/16" profile die-cast housing, with flat clear tempered glass lens attached to a die formed galvanized steel adaptor panel. Unit is water-resistant, sealed and IP66 rated.
- Standard color is white and is finished with LSI's DuraGrip® polyester powder coat process. DuraGrip withstands extreme weather changes without cracking or peeling.
- Luminaire assembly incorporates a pressure stabilizing vent breather to prevent seal fatigue and failure.

Optical System

- Features an array of select, mid-power, high brightness, high efficiency LED; 3000K, 4000K, 5000K color temperature, 80 CRI (nominal).
- Choice of Symmetric or Asymmetric distribution. Asymmetric provides a wider distribution pattern.
- Six Lumen Packages: 5,000, 9,000, 10,000, 13,000, 18,000 and 22,000 Lumens.

Electrical

- High performance factory programmable driver features over-voltage, under voltage, short-circuit and over temperature protection with integral 6kV surge protection that meets IEEE C62.41.2 and ANSI C82.77-5 Location Category C Low standards. Additional field replaceable 10kV surge protection device meets a minimum Category C Low operation (per ANSI/IEEE C62.41.2). Custom lumen and wattage packages available.
- Driver components are fully encased in potting for moisture resistance. Complies with IEC and FCC standards. 0-10 V dimming supplied standard with all drive currents.
- Universal voltage power supply, 120-277 VAC, 50/60 HZ and 347-480 VAC, 50/60 HZ input.
- -40°C to 45°C (-40°F to 122°F) ambient operating temperature. (Varies based on lumen package and mounting style see performance data for specifics.)
- Minimum 60,000 to 100,000 hours depending upon the ambient temperature of the installation location (see performance data for specifics.)

Installation

- One-person installation.
- Installs in a 12" or 16" deck pan. Deck penetration consists of a 11" square hole. Fixture is secured via 4 fasteners (by others) directly through frame and deck into structure members/beams.

Warranty

- LSI LED fixtures carry a 5-year warranty (contact your LSI representative for extended warranty options.)

Listings

- UL and ETL listed to UL 1598, UL 8750 and other U.S. and International safety standards. Suitable for wet locations.
- Meets Buy American Act requirements.
- IDA compliant with 3000K or lower color temperature.
- DesignLights Consortium® (DLC) qualified product. Not all versions of this product may be DLC qualified. Please check the DLC Qualified Products List at www.designlights.org/QPL to confirm which versions are qualified.





Scottsdale® Legacy Double Deck Mount Canopy (CRUS DDM)

ORDERING GUIDE

[Back to Quick Links](#)

TYPICAL ORDER EXAMPLE:

CRUS DDM SC LED SS 50 UE WHT

Prefix	Distribution	Light Source	Drive Current	Color Temp	Input Voltage	Finish
CRUS DDM	SC - Symmetric AC - Asymmetric ¹	LED	SLW - Super Low Watt VLW - Very Low Watt LW - Low Watt SS - Super Saver HO - High Output VHO - Very High Output	50 - 5000K 40 - 4000K 30 - 3000K	UE - Universal Voltage (120 - 277V) HV - High Voltage (347 - 480V)	WHT - White BRZ - Bronze BLK - Black

FOOTNOTES:

1. AC distribution utilizes a reflector which alters the look from a standard SC distribution.

PERFORMANCE

[Back to Quick Links](#)

DELIVERED LUMENS											
Lumen Package	Distribution	3000K CCT			4000K CCT			5000K CCT			Wattage
		Delivered Lumens	Efficacy	BUG Rating	Delivered Lumens	Efficacy	BUG Rating	Delivered Lumens	Efficacy	BUG Rating	
VHO	SC	21301	140	B4-U0-G2	21835	144	B4-U0-G2	22697	150	B4-U0-G2	152
	AC	17355	114	B3-U0-G3	17799	117	B3-U0-G3	18502	122	B3-U0-G3	
HO	SC	17889	143	B3-U0-G1	18346	146	B3-U0-G2	19071	152	B4-U0-G2	125
	AC	14582	116	B3-U0-G2	14955	119	B3-U0-G2	15546	124	B3-U0-G2	
SS	SC	13113	141	B3-U0-G1	13449	144	B3-U0-G1	13980	150	B3-U0-G1	93
	AC	11468	123	B3-U0-G2	11761	126	B3-U0-G2	12226	131	B3-U0-G2	
LW	SC	10457	144	B3-U0-G1	10724	148	B3-U0-G1	11148	154	B3-U0-G1	73
	AC	9145	126	B2-U0-G2	9379	129	B2-U0-G2	9749	134	B2-U0-G2	
VLW	SC	8783	146	B3-U0-G1	9008	149	B3-U0-G1	9364	155	B3-U0-G1	60
	AC	7681	127	B2-U0-G1	7878	131	B2-U0-G1	8189	136	B2-U0-G1	
SLW	SC	5585	146	B2-U0-G1	5728	150	B2-U0-G1	5954	156	B2-U0-G1	38
	AC	4884	128	B1-U0-G1	5009	131	B1-U0-G1	5207	136	B1-U0-G1	

*LEDs are frequently updated therefore values are nominal.

ELECTRICAL DATA (AMPS)							
Lumen Package	Wattage	120V	208V	240V	277V	347V	480V
VHO	152	1.27	0.73	0.64	0.55	0.44	0.32
HO	124	1.03	0.6	0.52	0.45	0.36	0.26
SS	92	0.77	0.44	0.38	0.33	0.27	0.19
LW	72	0.6	0.35	0.3	0.26	0.21	0.15
VLW	60	0.5	0.29	0.25	0.22	0.17	0.13
SLW	38	0.32	0.18	0.16	0.14	0.11	0.08

*Electrical data at 25C (77F). Actual wattage may differ by +/-10%.

OPERATING TEMPERATURE		
LUMEN PACKAGE	MOUNTING	Max
VHO	Metal/Wood Canopy	25 C
HO	Metal/Wood Canopy	35 C
SS	Metal/Wood Canopy	45 C

FOOTNOTES:

- Lumen maintenance values at 25°C are calculated per TM-21 based on LM-80 data and in-situ luminaire testing.
- In accordance with IESNA TM-21-11, Projected Values represent interpolated value based on time durations that are within six times (6X) the IESNA LM-80-08 total test duration (in hours) for the device under testing (DUT) i.e. the packaged LED).
- In accordance with IESNA TM-21-11, Calculated Values represent time durations that exceed six times NA LM-80-08 total test duration (in hours) for the device under testing (DUT) i.e. the packaged LED).

Recommended Lumen Maintenance ¹ CRUS DDM VHO					
Ambient Temp C	Initial ²	25k hr ²	50k hr ²	75k hr ³	100k hr ³
0 C	102%	97%	92%	88%	84%
10 C	102%	97%	92%	88%	84%
20 C	102%	97%	92%	88%	84%
25 C	102%	97%	92%	88%	84%
30 C	102%	97%	92%	88%	84%
40 C	101%	95%	90%	85%	80%
50 C	101%	94%	89%	83%	78%

Recommended Lumen Maintenance ¹ CRUS DDM SS					
Ambient Temp C	Initial ²	25k hr ²	50k hr ²	75k hr ³	100k hr ³
0 C	102%	97%	92%	88%	84%
10 C	102%	97%	92%	88%	84%
20 C	102%	97%	92%	88%	84%
25 C	102%	97%	92%	88%	84%
30 C	102%	97%	92%	88%	84%
40 C	102%	97%	92%	88%	84%
50 C	101%	95%	91%	86%	82%





Scottsdale® Legacy Double Deck Mount Canopy (CRUS DDM)

PHOTOMETRICS

[Back to Quick Links](#)

Luminaire photometry has been conducted by an accredited testing laboratory in accordance with IESNA LM-79-08. As specified by IESNA LM-79-08 the entire luminaire is tested as the source resulting in a luminaire efficiency of 100%.

See <http://www.lsi-industries.com/products/led-lighting-solutions.aspx> for detailed photometric data.

CRUS-DDM-SC-SS-50

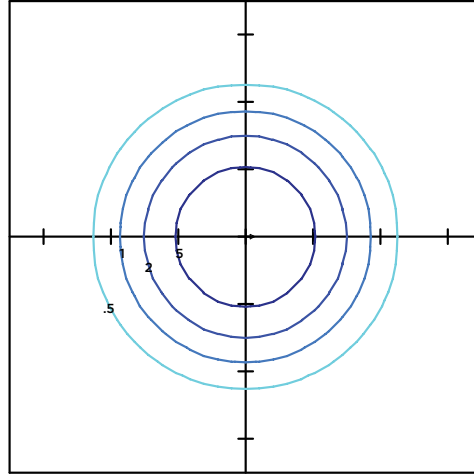
LUMINAIRE DATA

Type 5 Distribution	
Description	5000 Kelvin, 80 CRI
Delivered Lumens	13,980
Watts	93
Efficacy	150
IES Type	Type VS - Very Short
BUG Rating	B3-U0-G1

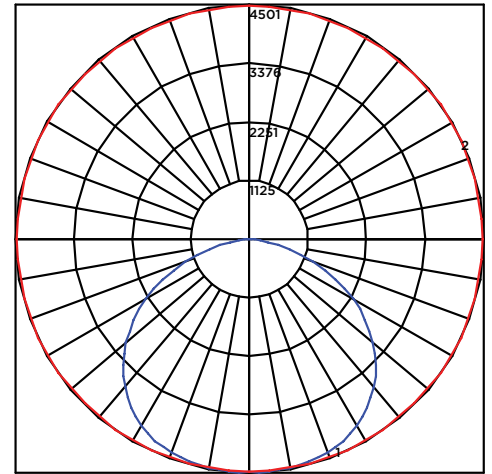
Zonal Lumen Summary

Zone	Lumens	%Luminaire
Low (0-30°)	3654.2	26%
Medium (30-60°)	7541.2	54%
High (60-80°)	2641.4	19%
Very High (80-90°)	143.2	1%
Uplight (90-180°)	0	0%
Total Flux	13980	100%

ISO FOOTCANDLE



POLAR CURVE



15' Mounting Height/15' Grid Spacing

■ 5 FC ■ 2 FC ■ 1 FC ■ .5 FC

CRUS-DDM-AC-SS-50

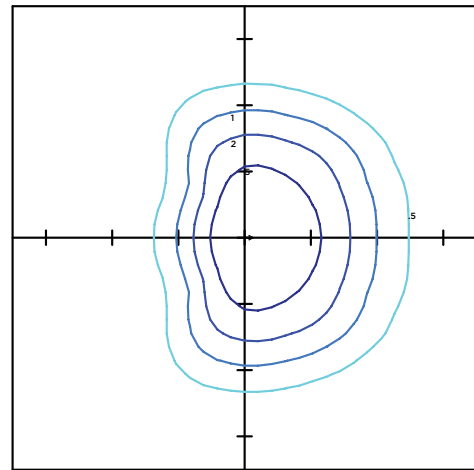
LUMINAIRE DATA

Type 3 Distribution	
Description	5000 Kelvin, 80 CRI
Delivered Lumens	12,226
Watts	93
Efficacy	131
IES Type	Type III, Very Short
BUG Rating	B3-U0-G2

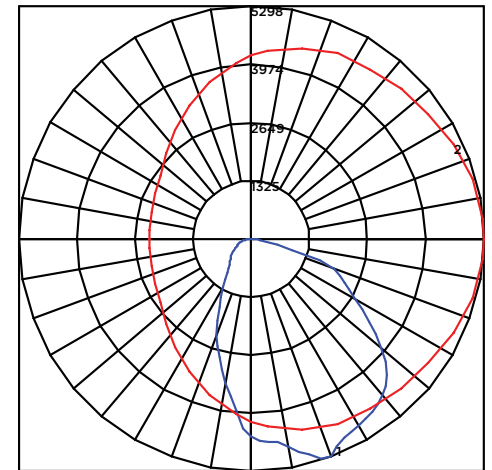
Zonal Lumen Summary

Zone	Lumens	%Luminaire
Low (0-30°)	3240.3	27%
Medium (30-60°)	6245.5	51%
High (60-80°)	2594.6	21%
Very High (80-90°)	146.1	1%
Uplight (90-180°)	0	0%
Total Flux	12227	100%

ISO FOOTCANDLE



POLAR CURVE



15' Mounting Height/15' Grid Spacing

■ 5 FC ■ 2 FC ■ 1 FC ■ .5 FC





Scottsdale® Legacy Double Deck Mount Canopy (CRUS DDM)

PRODUCT DIMENSIONS

[Back to Quick Links](#)

