

Installation and Assembly Instructions SCM Series Retrofit to Legacy CRUS



⚠️ WARNING

Risk of fire, electric shock, injury or property damage

Risk of electric shock--Disconnect power to equipment before installing or servicing.
This equipment must be installed according to all applicable codes & ordinances.
Installation and service of this equipment must be performed by qualified service personnel.
Do not install damaged equipment.
Read these instructions before installing, servicing or maintaining this equipment.
Save these instructions for maintaining and servicing.

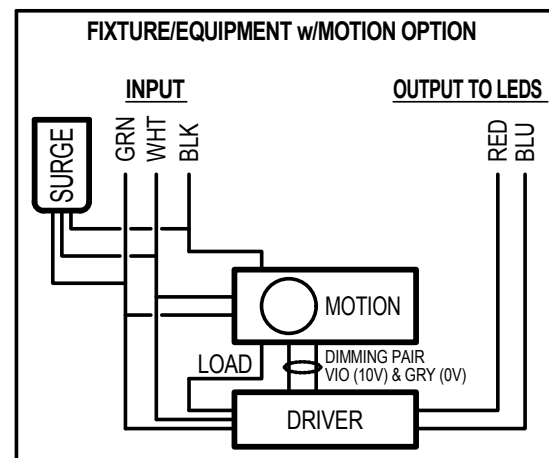
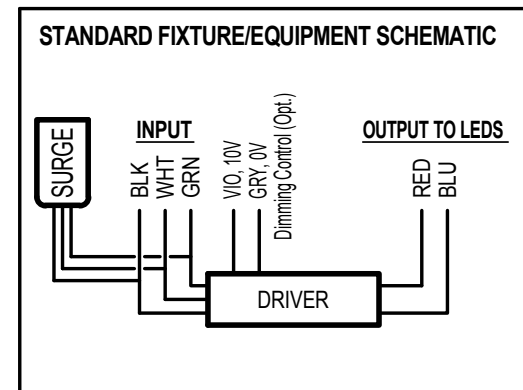
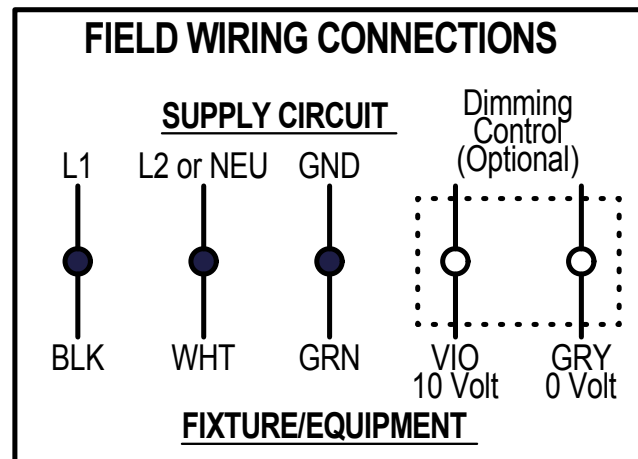
⚠️ CAUTION

Failure to follow instructions or altering equipment could result in damage and void warranty.
Edges may cut--wear gloves while handling or servicing this equipment.
Inspect equipment for damage from shipping and handling.

LUMINAIRE PREPARATION

1. Remove the luminaire from the carton and inspect luminaire for damage. Do not install a damaged luminaire.

WIRING INFORMATION

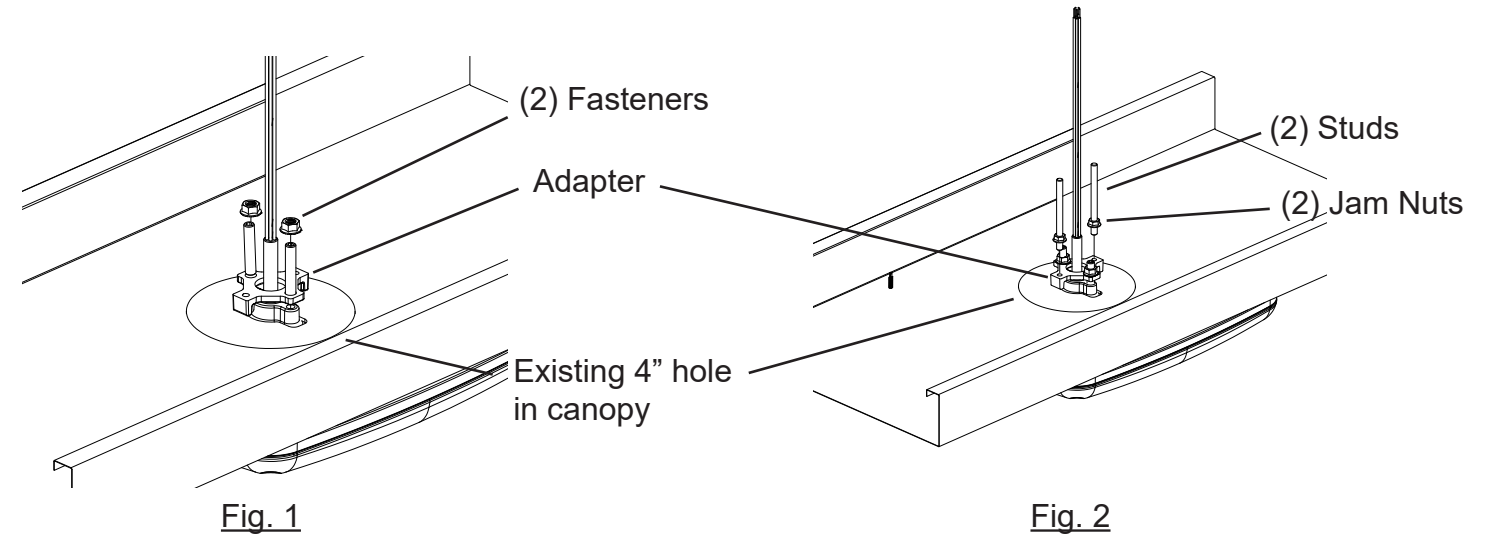


Installation Questions
Call LSI Field Service Dept.
800-436-7800 ext. 3300

Installation and Assembly Instructions SCM Series Retrofit to Legacy CRUS

Step 1 (Fig. 1 & 2)

1. Attach SCM Adapter Kit to SCM luminaire with 2 fasteners provided.
2. Thread Studs into Adapter and tighten Jam Nuts.



Step 2 (Fig. 3)

1. Position Legacy Driver Box over Studs.
2. Thread Nuts onto Studs and tighten.
3. Make primary wiring connections to SCM luminaire. Note: Make sure legacy driver components are bypassed and not in the electrical circuit.
4. Re-attach Driver Box Cover preventing water entry into wiring compartment.

