



# LED CANOPY LIGHT - LEGACY™ (CRU)

## LUMINAIRE ORDERING INFORMATION

TYPICAL ORDER EXAMPLE: **CRU SC LED HO CW UE WHT**

| Prefix | Distribution <sup>1</sup>                     | Light Source | Drive Current                              | Color Temperature       | Input Voltage  | Finish                                     | Options                              |
|--------|---|--------------|--|-------------------------|--|--|--------------------------------------|
| CRU    | SC - Standard<br>Symmetric<br>AC - Asymmetric | LED          | HO - High Output<br>VHO - Very High Output | CW - Cool White (5000K) | UE - Universal<br>Voltage<br>(120-277V)<br><br>347-480V <sup>2</sup> | WHT - White<br>BRZ - Bronze<br>BLK - Black | 2L - Bi-Level Switching <sup>3</sup> |

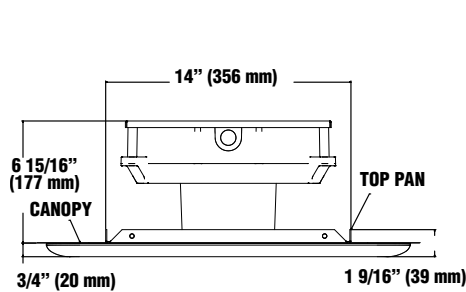
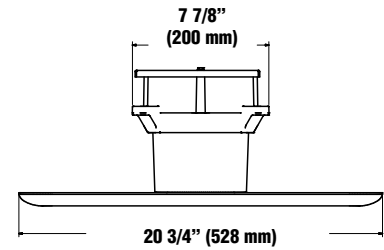
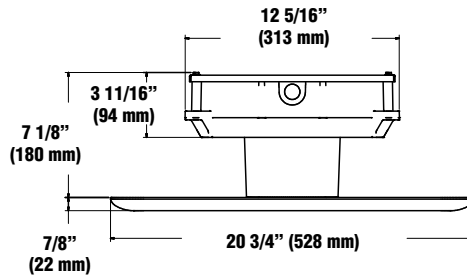
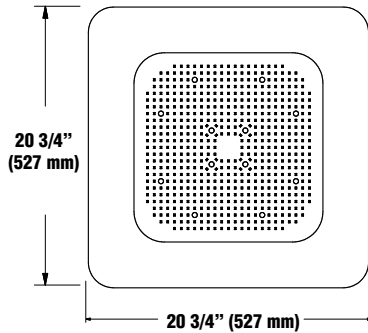
### FOOTNOTES:

- 1- AC distribution utilizes a reflector which alters the look from a standard S distribution.
- 2- 347V only available in HO drive current.
- 3- Bi-Level available on "HO" drive current only. It provides a manually operated, 2 position toggle switch to permit switching from "HO" (high) to 50% of power (low) drive currents.

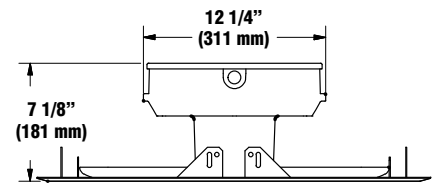
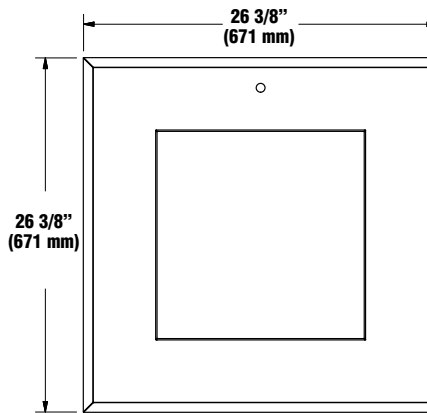
### ACCESSORY ORDERING INFORMATION (Accessories are field installed)

| Description  | Order Number | Description  | Order Number |
|--|--------------|--|--------------|
| Retrofit Panels - EC / ECTA / SCF to CRU, for 16" Deck Panel | 525946       | Kit - Hole Plugs and Silicone (enough for 25 retrofits) <sup>1</sup> | 1320540      |
| Retrofit Panels - ECTA / SCF to CRU, for 12" Deck Panel      | 530281       | CRU FKL - Flange Kit <sup>2</sup>                                    | 537530WHT    |
| Retrofit 2x2 Cover Panel Blank (no holes)                    | 357282       | 1- Consists of (25) 7/8" hole plugs and (1) 10.3 oz tube of RTV      |              |
| Retrofit RIC Cover Panel Blank (no holes)                    | 354702       | 2- Flange Kit used to mount CRU in double deck applications          |              |

## DIMENSIONS



Retrofit Panels Installed



CRU FKL (for double deck applications)

### LIGHT OUTPUT - CRU

|            |                        | Lumens | Watts | LPW |
|------------|------------------------|--------|-------|-----|
|            |                        | SC     | SC    | SC  |
| Cool White | HO - High Output       | 18,000 | 140   | 129 |
|            | VHO - Very High Output | 21,900 | 164   | 134 |

