

# ENTERPRISE / INTREPID SA LED SERIES INSTALLATION & ASSEMBLY INSTRUCTIONS

- WARNING:** BEFORE PROCEEDING, READ ALL INSTRUCTIONS CAREFULLY TO INSURE PROPER AND SAFE INSTALLATION.  
**WARNING:** RISK OF FIRE OR ELECTRICAL SHOCK. DISCONNECT POWER BEFORE INSTALLING OR SERVICING.  
**WARNING:** RISK OF ELECTRICAL SHOCK.  
**WARNING:** ALL WIRING TO BE PERFORMED PER NATIONAL ELECTRICAL CODE AND LOCAL CODE BY A QUALIFIED ELECTRICIAN.  
**WARNING:** VERIFY THAT SITE INPUT VOLTAGE MATCHS DRIVER VOLTAGE RATING BEFORE WIRING.  
**WARNING:** FAILURE TO FOLLOW THE INSTRUCTIONS COULD RESULT IN DAMAGE TO THE PRODUCT & VOID ALL WARRANTIES!  
**NOTE:** KEEP THESE INSTRUCTIONS FOR FUTURE REFERENCE.

## LUMINAIRE ASSEMBLY:

### ASSEMBLY TOOLS REQUIRED:

- 3/4" OPEN END WRENCH    5/16" NUT DRIVER  
 TORX T-25 DRIVER        FISH TAPE  
 SMALL STRAIGHT SCREWDRIVER

**NOTE:** PACKAGING MATERIALS SHOULD BE USED TO PROTECT PAINT FINISH WHEN ASSEMBLING FIXTURES & POLES ON PARKING LOT SURFACE OR GROUND.

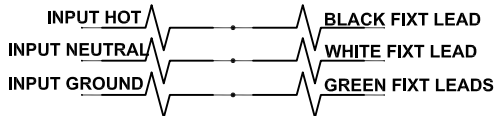
⚠ MAKE CERTAIN THE POWER SUPPLY IS TURNED OFF BEFORE STARTING INSTALLATION.

⚠ MAKE CERTAIN LINE VOLTAGE CORRESPONDS WITH BALLAST PRIMARY VOLTAGE SELECTED ON TERMINAL BLOCK!

1. CAREFULLY FEED LUMINAIRE LEADS THRU FIXTURE, POLE, & NUT PLATE. SCREW 1/2-13 BOLT (2X) INTO NUT PLATE AS SHOWN IN FIG. 1. TIGHTEN BOLTS TO 30-40 FT/LBS TORQUE.

2. HANG LED DRIVER ASSEMBLY ONTO HOOK PLATE AS SHOWN IN FIG. 2. ROTATE ASSY UNTIL MOUNTING HOLES ARE LINEUP (SEE FIG. 3). SCREW 10-24 HEX HD SCREWS (2X) INTO MOUNTING HOLES. TIGHTEN SCREWS TO 24 IN/LBS TORQUE.

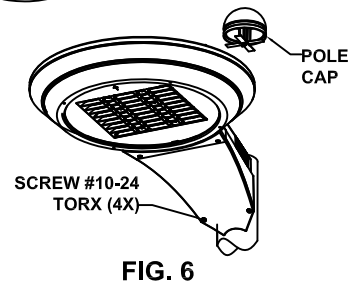
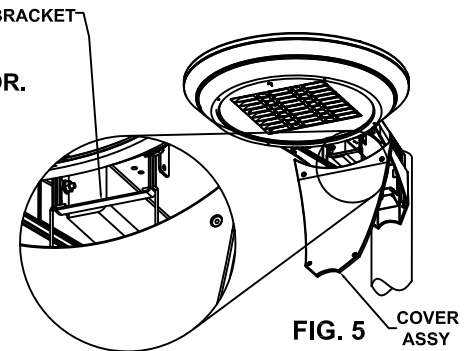
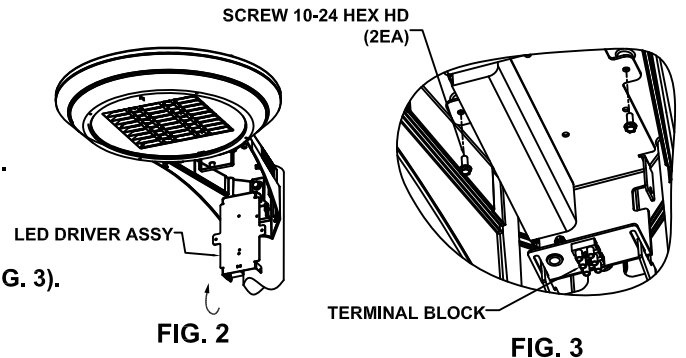
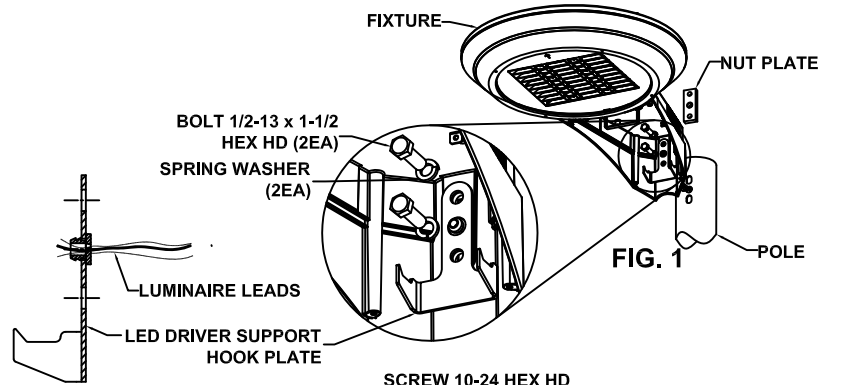
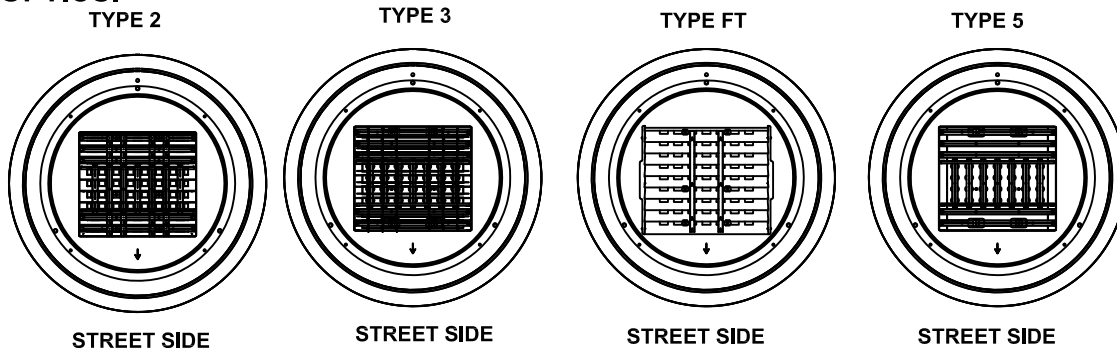
3. INSERT SUPPLY LEADS INTO CORRECT POSITIONS ON TERMINAL BLOCK. DOOR SUPPORT BRACKET BLACK TO LINE, WHITE TO COM, GREEN TO GROUND. TIGHTEN SCREWS TO 4.4 IN/LBS TORQUE. CONNECT LED PCB CONNECTOR TO THE LED DRIVER SECONDARY CONNECTOR.



4. HANG COVER ASSY ONTO DOOR SUPPORT BRACKET AS SHOWN IN FIG. 5. ROTATE COVER ASSY TO CLOSED POSITION. TIGHTEN 10-24 TORX SCREWS (4X) TO 24 IN/LB.

5. INSTALL POLE TOP CAP AS SHOWN IN FIG. 6.

### OPTICS:



A Company with a Smart Vision