

INSTALLATION AND ASSEMBLY INSTRUCTIONS

CONSTITUTION XCN4, LEXINGTON LXM4, & ENTERPRISE ENM4 PT SERIES

WARNING: Failure to follow instructions could result in damage to product and void warranties!

WARNING: Risk of fire or electrical shock. Disconnect power before installing or servicing.

WARNING: Verify the existing input voltage and ensure it matches input rating on luminaire's product label, located on inside wall of upper housing. See Figure 4.

WARNING: Before proceeding, read all instructions carefully to ensure proper and safe installation.

WARNING: Warranty is void if luminaire is tilted up or down from horizontal!

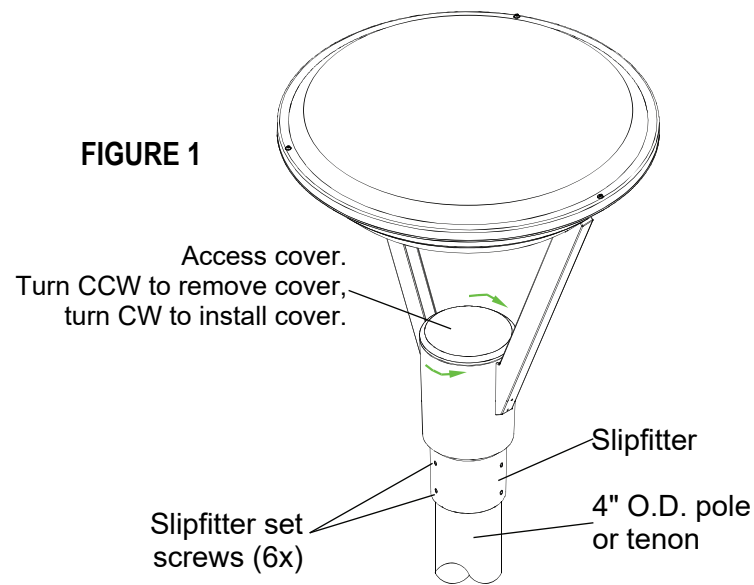
IMPORTANT: This product must be installed in accordance with the applicable installation code by a person familiar with the construction and operation of the product and the hazards involved.

Tools required: 3/16" Hex Key wrench, T25 Torx screwdriver, fish tape.

LUMINAIRE PREPARATION

NOTE: Luminaire packaging materials should be used to protect paint finish when assembling luminaires and poles on parking lot or ground.

- Carefully feed luminaire leads coiled in slipfitter into pole top with fish tape. Slide luminaire slipfitter onto 4" round pole or tenon. Tighten slipfitter set screws (6x) to **60 - 72 IN-LBS**, evenly. **DO NOT OVERTIGHTEN!** See Figure 1.



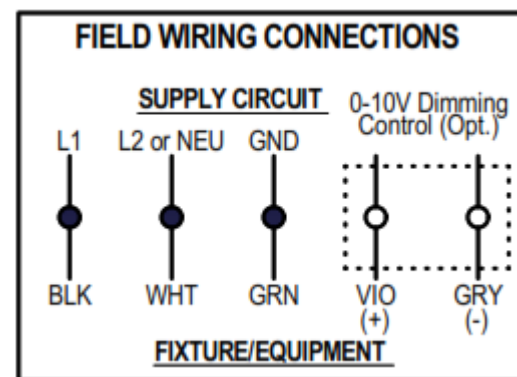
WIRING CONNECTIONS

WARNING: Wiring to be performed by qualified electrician! Wire per National Electrical Code and local code.

IMPORTANT WIRING INFORMATION - Risk of electrical shock!

- * Make certain supply wiring is not energized before wiring luminaire.
- * Make certain supply voltage corresponds to luminaire voltage, as marked on luminaire label, located on inside housing wall of upper housing. See Figure 4.
- * Use 12-18 AWG Copper (Solid or Stranded) wire

FIGURE 2



XCN4, LXM4, & ENM4 PT Series, cont'd.

- Depending on optic type, luminaire may need to be rotated once pole is erected. Loosen (6) slipfitter set screws and rotate luminaire assembly to properly orient reflector per site plan drawing. Identify optic type below in Figure 3 by comparing to optic type in luminaire. Model nomenclature on product label (located on inside wall of upper housing, see Figure 4 for location) identifies optic as well. Once luminaire is rotated to proper position, evenly tighten all (6) set screws to **60 - 72 IN-LBS. DO NOT OVERTIGHTEN!**

IMPORTANT: OPTICS ARE NOT ACCESSIBLE!

OPTIC IDENTIFICATION

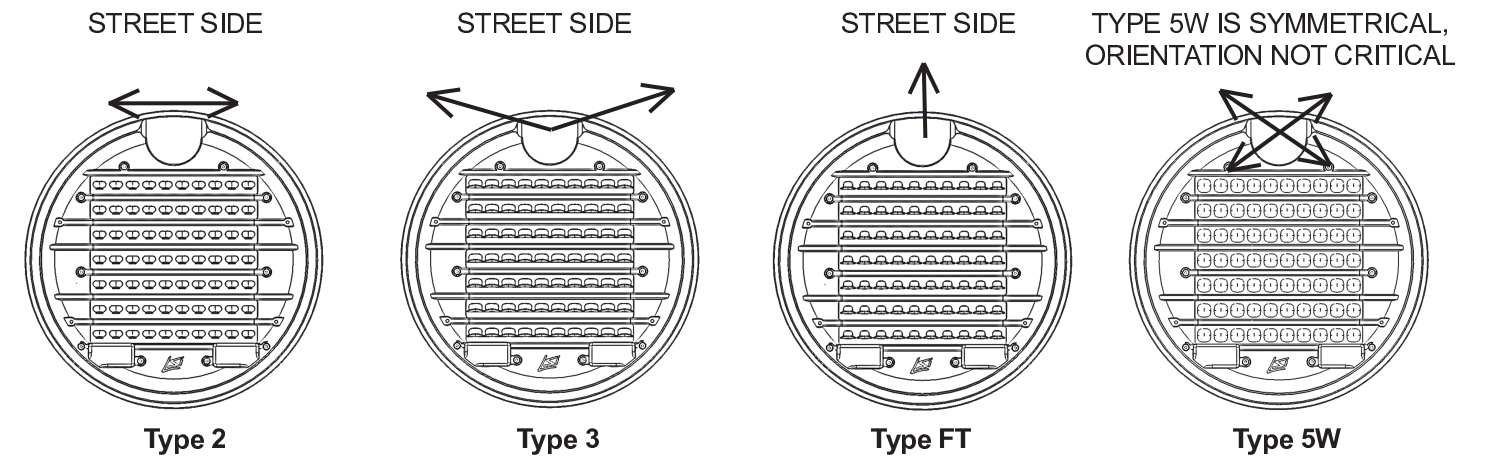
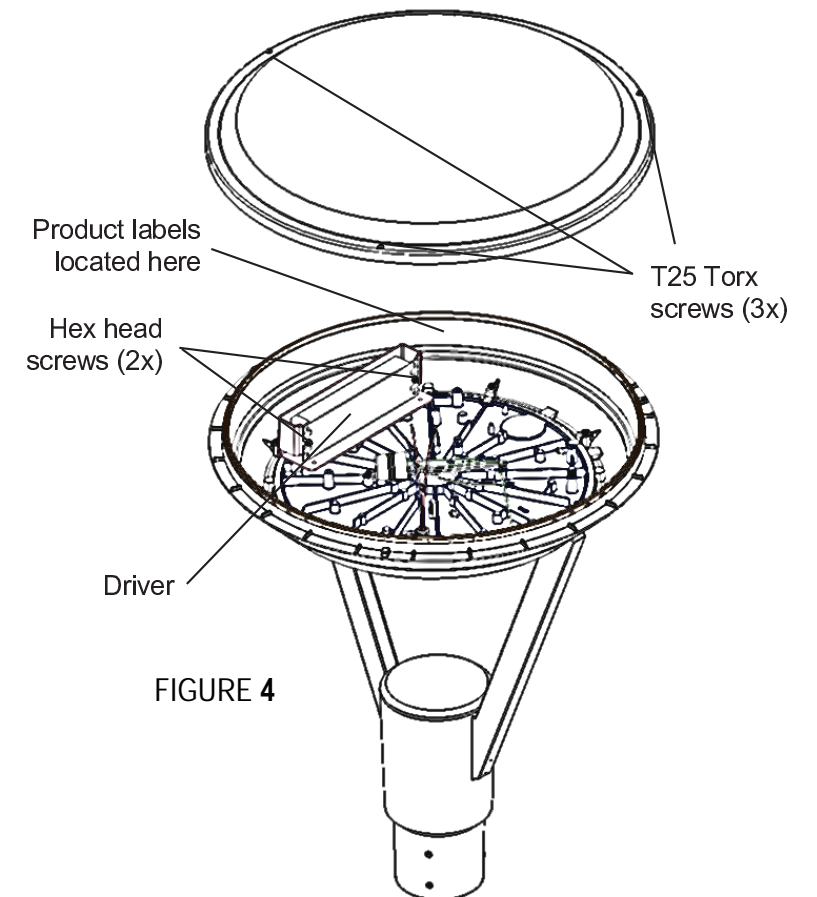


FIGURE 3
(Arrows indicate light output direction)

DRIVER SERVICE AND REPLACEMENT

Tools required: 5/16" Nut driver, T25 Torx screwdriver.

- Make sure power is turned OFF.
- Unscrew the (3) T-25 Torx screws and remove luminaire top cap. **NOTE: Screws are captive.** See Figure 4.
- Locate driver. Use 5/16" nut driver to remove (2) #10-24 hex head screws securing driver to bracket.
- Disconnect the driver connections on primary and secondary wiring leads; remove old driver.
- Install new driver using old hex head screws; reconnect both primary and secondary wiring leads.
- Re-attach luminaire cover; secure cover by evenly tightening all (3) screws to **18 - 24 IN-LBS.**



Installation Questions
Call LSI Field Service Dept.
800-436-7800 ext. 3300