

# LED SOFFIT LIGHT (XSL2)



## DOE LIGHTING FACTS

Department of Energy has verified representative product test data and results in accordance with its Lighting Facts Program. Visit [www.lightingfacts.com](http://www.lightingfacts.com) for specific catalog strings.

US patents D574994 & D595896 & 7828456 and US & Int'l. patents pending

**EXPECTED LIFE** - Minimum 60,000 hours to 100,000 hours depending upon the ambient temperature of the installation location. See LSI web site for specific guidance.

**LEDS** - Select high-brightness LEDs. Cool White 5000K color temperature, 69 CRI.

**DRIVER CURRENT** - Super saver (SS) - most economical and highest lumens per watt or High Output (HO) - highest output per initial dollar.

**DISTRIBUTION/PERFORMANCE** - Type S (Symmetric) or 5A (Type 5). Excellent uniformity with Bug rating of BU-UO-G1. Optional diffused lens available to reduce visibility of diodes

**HOUSING/OPTICAL UNIT** - Housing is die-formed aluminum with a gasketed clear tempered glass lens providing a water-resistant seal. Weather-tight aluminum enclosure contains factory prewired driver to ensure no water entry. Sealed optical unit containing LEDs rated IP67.

**MOUNTING** - Direct mounts with screws through the trim frame (standard). Optional channel bar kit available to suspend assembly from ceiling joists. 12" clearance required for ease of installation.

**ELECTRICAL** - Universal frequency power supply (50/60 Hz). Supply voltage must be specified for pre-wired thermal protectors.

**DRIVER** - State-of-the-art driver technology designed specifically for LSI LED light sources provides unsurpassed system efficiency. Driver will operate with input of 120/208/240/277V (50/60 Hz). Components are fully encased in potting material for moisture resistance. Driver complies with IEC and FCC standards.

**OPERATING TEMPERATURE** - -40°C to +50°C (-40°F to +122°F).

**FINISH** - Each fixture is finished with LSI's DuraGrip® polyester powder coat finishing process. The DuraGrip finish withstands extreme weather changes without cracking or peeling, and is guaranteed for five full years. Standard color is white.

**WARRANTY** - LSI LED fixtures carry a limited 5-year warranty.

**PHOTOMETRICS** - Please visit our web site at [www.lsi-industries.com](http://www.lsi-industries.com) for detailed photometric data.

**LISTING** - Listed to U.S. and Canadian safety standards. Suitable for damp locations.

This product, or selected versions of this product, meet the standards listed below. Please consult factory for your specific requirements.



LIGHT OUTPUT - XSL2					
		Clear Lens	Lumens	Watts	LPW
Type S	SS - Super Saver		6,193	60	103
	HO - High Output		8,348	86	97
Type 5A	SS - Super Saver		5,158	60	86
	HO - High Output		6,959	86	81
		Diffused Lens			
Type S	SS - Super Saver		5,752	60	96
	HO - High Output		6,751	87	78
Type 5A	SS - Super Saver		4,393	60	73
	HO - High Output		5,842	87	67

LED Chips are frequently updated therefore values may increase.



Project Name \_\_\_\_\_ Fixture Type \_\_\_\_\_  
 Catalog # \_\_\_\_\_

09/27/19

© 2019  
 LSI INDUSTRIES INC.

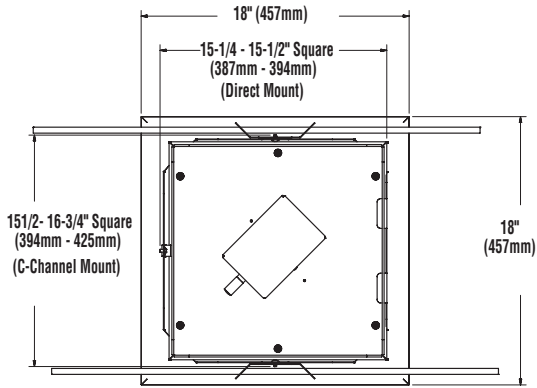
# LED SOFFIT LIGHT (XSL2)

## PRODUCT ORDERING INFORMATION

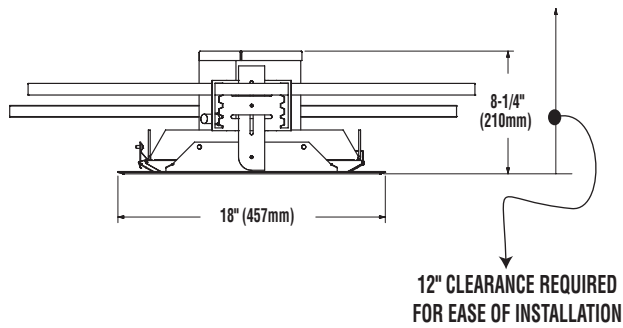
TYPICAL ORDER EXAMPLE: **XSL2 S LED 50 SS CW 120 WHT CMT**

Prefix	Distribution	Light Source	# of LEDs	Drive Current	Color Temperature	Input Voltage	Finish	Options
XSL2 - Soffit Light	S - Symmetric 5A - Type 5	LED	50	HO - High Output SS - Super Saver	CW - Cool White (5000° K nom.)	120 208 240 277 347	WHT - White	CMT - Channel Bar Mounting Kit DM - Direct Mount DFL - Diffused Lens

### DIMENSIONS



TOP VIEW



SIDE VIEW  
(Channel Mount Shown)

SHIPPING WEIGHT - 14 lbs. (6.4kg)

