

# Installation and Assembly Instructions XPG4 Series



## ⚠️ WARNING

### Risk of fire, electric shock, injury or property damage

Risk of electric shock--Disconnect power to equipment before installing or servicing.  
This equipment must be installed according to all applicable codes & ordinances.  
Installation and service of this equipment must be performed by qualified service personnel.  
Do not install damaged equipment.  
Read these instructions before installing, servicing or maintaining this equipment.  
Save these instructions for maintaining and servicing.

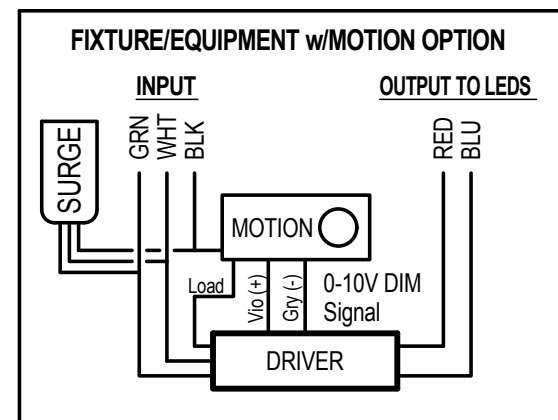
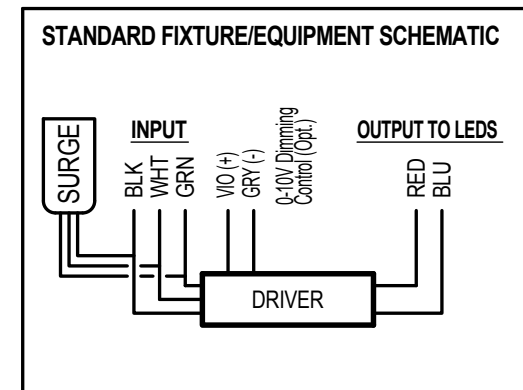
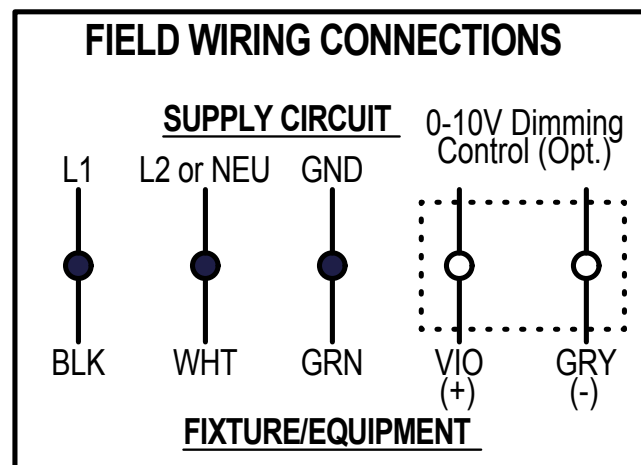
## ⚠️ CAUTION

Failure to follow instructions or altering equipment could result in damage and void warranty.  
Edges may cut--wear gloves while handling or servicing this equipment.  
Inspect equipment for damage from shipping and handling.

### LUMINAIRE INSPECTION

1. Remove the luminaire from the carton and inspect luminaire for damage. Do not install a damaged luminaire.

### WIRING INFORMATION



Installation Questions  
Call LSI Field Service Dept.  
800-436-7800 ext. 3300

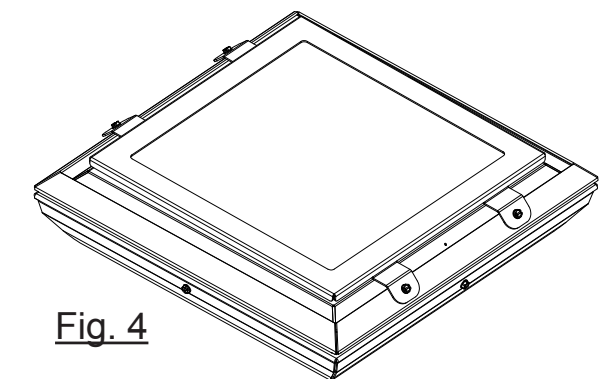
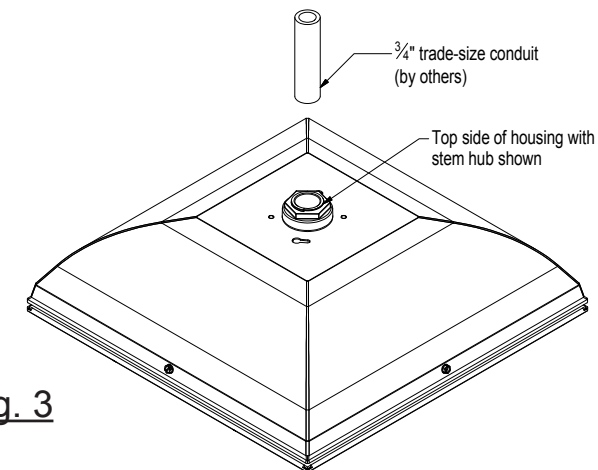
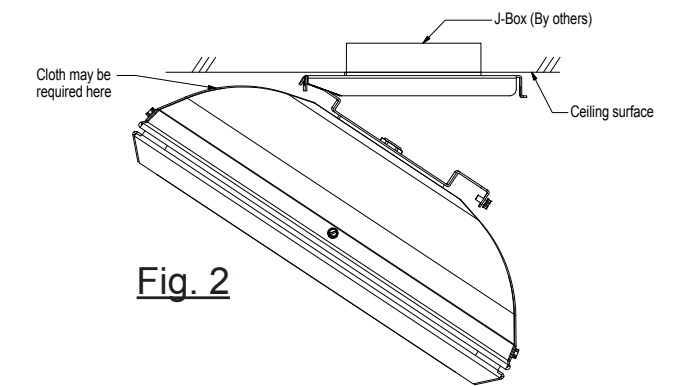
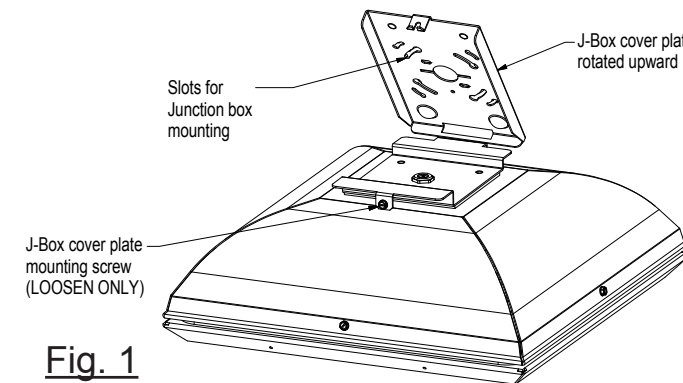
# Installation and Assembly Instructions XPG4 Series

### “Direct Mount” Instructions

1. Fig. 1 & 2, remove J-Box Cover Plate from top of luminaire and attach the J-Box Cover Plate to J-Box (by others).
2. Fig. 2, hang luminaire from J-Box Cover Plate and make primary wiring connections.
3. Swing fixture closed and tighten J-Box Cover Plate Mounting Screw.

### “Pendant Mount” Instructions

1. Fig. 3, feed luminaire primary wires through 3/4” conduit (by others) and thread conduit into fitting on top of the luminaire. **Important!: Apply thread sealant to conduit threads.**
2. Conduit attachment to ceiling J-Box is the responsibility of the installing contractor. Primary Wiring Connections are made in the ceiling J-Box.



### Optional Protective Lens

1. Fig. 4, attach protective lens to bottom of fixture using (4) fasteners.

Installation Questions  
Call LSI Field Service Dept.  
800-436-7800 ext. 3300