

INSTALLATION AND ASSEMBLY INSTRUCTIONS

Crossover® XGB Series LED Area Luminaire



SMARTVISION®

SAVE THESE INSTRUCTIONS AND DELIVER TO OWNER AFTER INSTALLATION

BEFORE YOU BEGIN

Read these instructions completely and carefully, observing all CAUTIONS and WARNINGS shown throughout these instructions.

WARNING! RISK OF ELECTRIC SHOCK

- Disconnect or turn off power before installation or servicing.
- Verify that supply voltage is correct by comparing it with the luminaire label information.
- Make all electrical and grounded connections in accordance with the National Electrical Code (NEC) and any applicable local code requirements.

CAUTION: RISK OF INJURY

- Wear gloves and safety glasses at all times when removing luminaire from carton, installing, servicing or performing maintenance.
- Allow luminaire/driver to cool before handling.

NOTICE: RISK OF PRODUCT DAMAGE- Failure to follow instructions could result in damage to product and void ALL warranties!

- Only install fixture with lens facing downward.
- Never connect components under load.
- Do NOT mount or support these fixtures in a manner that can cut the outer jacket or damage wire insulation.
- Do NOT exceed fixtures maximum ambient temperature rating.

CLEANING INSTRUCTIONS

- It will occasionally be necessary to clean the outside of the lens. Frequency of cleaning will depend on ambient dirt level and minimum light output which is acceptable to the user.
- Lens should be wiped with a DAMP cloth with a solution of warm water and a mild, non-abrasive household detergent. Dry with soft, dry, clean cloth.
- Do NOT use chemical cleaners such as powder cleansers, bleach, etc.
- Do NOT use scouring pads, as this will scratch and damage the lens finish.
- Do NOT wipe with a soiled cloth or wet towel - these may leave a residue that can damage finish.
- Do NOT pressure wash or hose down luminaire.



LSI Industries Inc. 10000 Alliance Road Cincinnati, Ohio 45242 (513) 793-3200 Fax (513) 793-0147 www.lsi-industries.com

475879 Rev. 3/14

1 / 4

©2014 LSI Industries Inc.

XGB Series, cont'd.

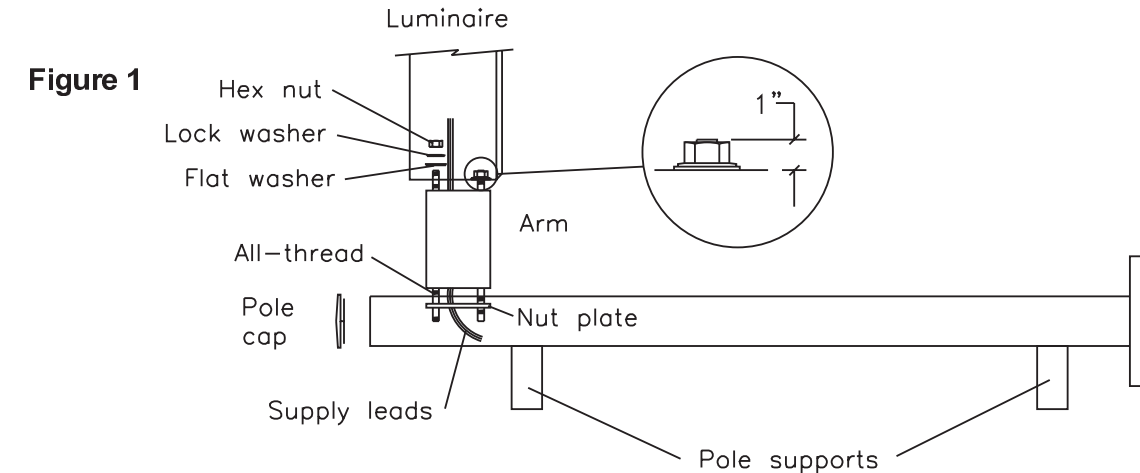


Listed for Wet Locations



ALL UNITS:

1. Remove luminaire from packaging, taking care to protect lens and finish. Check packing slip to make sure all parts are present before proceeding.
2. Place luminaire lens-down on protected surface. Remove cover by loosening (4) screws. Place cover aside.
3. Lay pole on raised surface. Protect pole finish with soft cloth.
4. Install nut plate into pole end, so the large center hole is closest to pole end. Thread both all-thread rods into nutplate. See Figure 1.
5. Feed supply wiring thru center of arm. Slide arm over all-thread.



ALL UNITS:

6. Position luminaire over all-thread. Feed supply wiring through center hole on back of luminaire. Use supplied hardware to secure luminaire to pole and/or arm bracket. To ensure level luminaire, tighten upper nut first, then lower nut, (tighten each to 25 ft-lbs.) making sure luminaire and/or arm is "square" to pole.

WARNING: Wiring to be performed by qualified electrician! Wire per National Electrical Code and local code.

IMPORTANT: Reference luminaire label for input voltage! Luminaire can be connected to 120-277VAC 50/60 Hz or 347/480V 50/60 Hz.

IMPORTANT WIRING INFORMATION - Risk of electrical shock!

- * Make certain supply wiring is not "HOT" before wiring luminaire.
- * Make certain supply voltage matches luminaire voltage, as marked on luminaire.

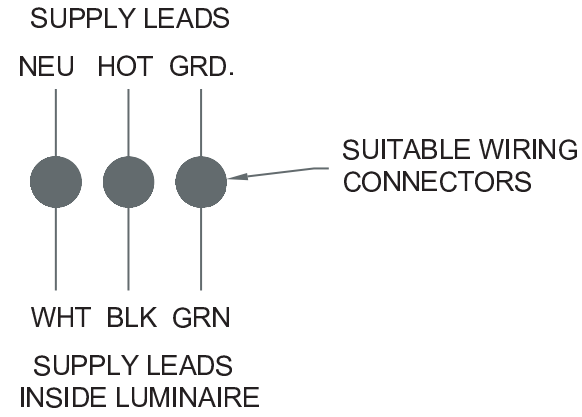


LSI Industries Inc. 10000 Alliance Road Cincinnati, Ohio 45242 (513) 793-3200 Fax (513) 793-0147 www.lsi-industries.com

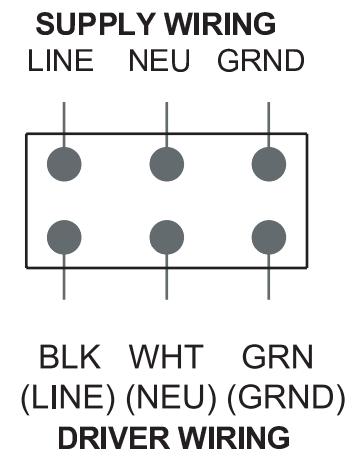
2 / 4

p/n 475879 Rev. 3/14

XGB Series, cont'd.

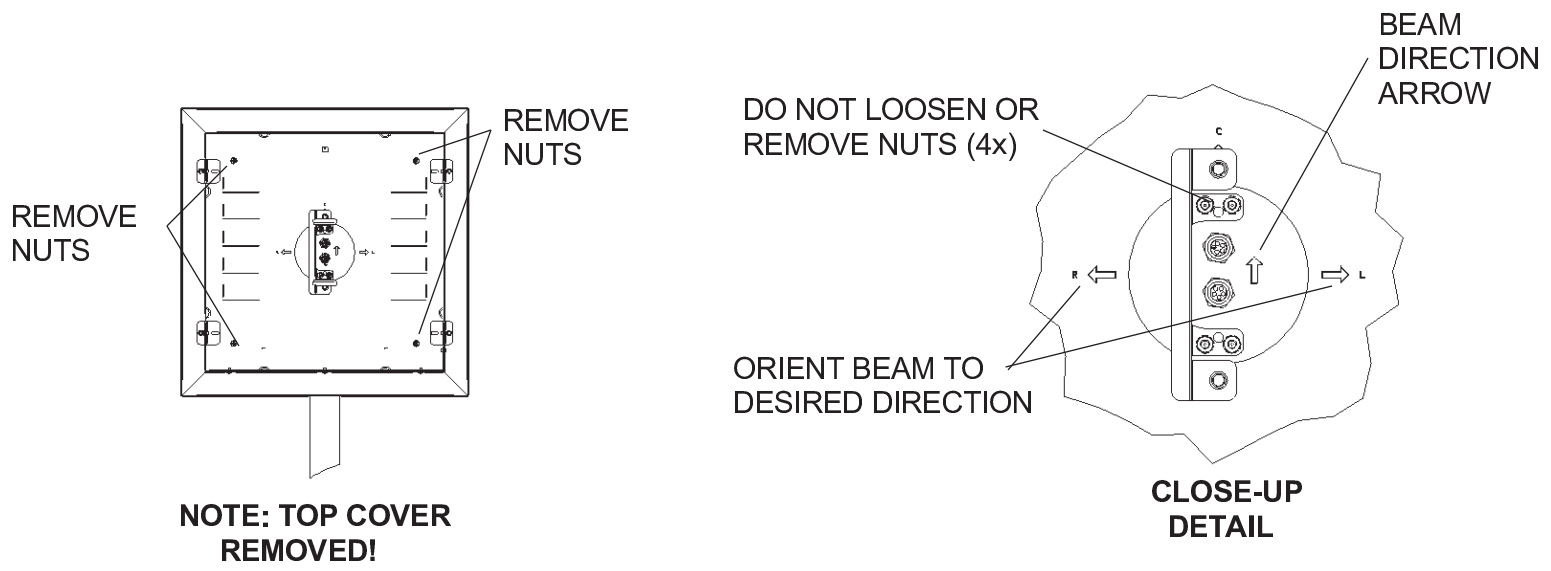
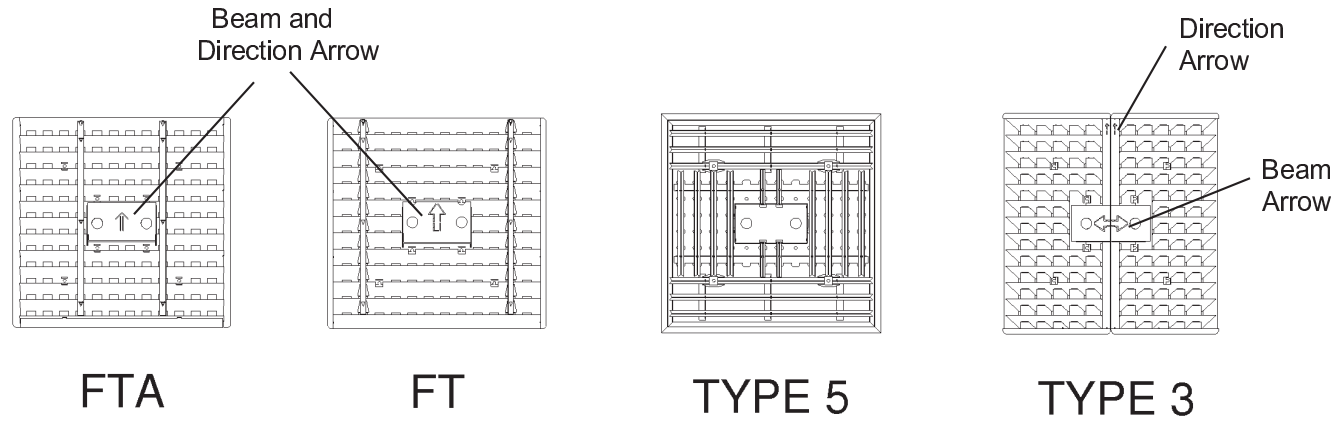


OPTIONAL TERMINAL BLOCK WIRING DIAGRAM

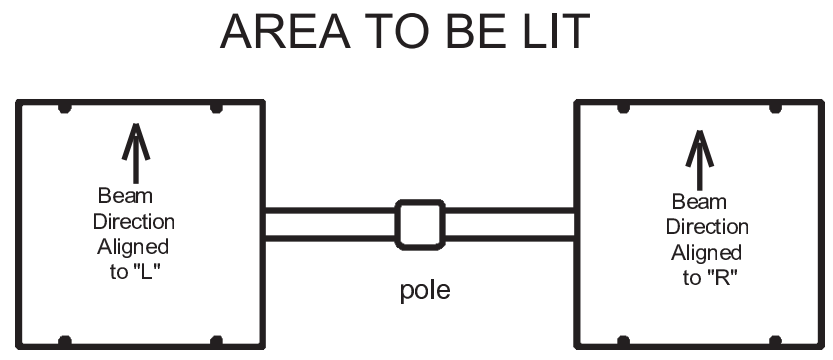


7. The optic assembly is rotatable in 90 degree increments. see below. Remove 4 nuts from the inside corners of the housing. Rotate the optic assembly by orientating the beam to the desired direction. Arrows on the inside of the fixture indicate beam direction. Reinstall the 4 nuts and tighten to 35 in-lbs.

IMPORTANT! With cover removed, reference product label noting reflector type and light output "arrow". Type FT, FTA and 3 reflector models have arrows imprinted on reflector (look thru lens). See below for certain reflector types and how they mount to pole with specific light output! Reference example luminaire layout.



XGB Series, cont'd.



Example Luminaire Layout

8. Reinstall luminaire cover with cover screws. Install pole cap.
9. The luminaire and pole assembly is now ready for installation to anchor bolts. When erecting pole, use belts, slings or ropes - do NOT use chain or cable. Do not attach to luminaire or arm!

NOTE: Pole must be pointed in right direction. See Step 7 for proper light output direction for each reflector type.

10. Set and level anchor bolts using nuts and washers provided.

Installation Questions?
Call LSI Field Service Department at:
1-800-436-7800 Ext. 3300
Fax: 1-877-861-1368

