

SSA/SMA Series

SAVE THESE INSTRUCTIONS



BEFORE YOU BEGIN
Read and follow all safety instructions

 **WARNING**

RISK OF FIRE, EXPLOSION AND ELECTRIC SHOCK

- This product should be installed, inspected, and maintained by a qualified electrician only, in accordance with the NEC (National Electric Code) and all local codes.
- Turn off electrical power before inspection, installation or removal.
- Use only UL (or other NTRL) approved wire for input/output connections. Minimum size 18 AWG or 14 AWG for continuous runs.
- Make sure LEDs and drivers are cool to touch when performing maintenance. Make sure the supply voltage is the same as the rated voltage of the luminaire.
- Do not install in a hazardous atmosphere, except where the ambient temperature does not exceed the rated operating temperature of the fixture.
- Keep tightly closed when in operation



Prepare Electrical Wiring



Electrical Requirements

- The LED driver must be supplied with 120 to 277V, 50/60 Hz and connected to an individual, properly grounded branch circuit protected by a 20 Ampere circuit breaker. Use min. 75°C supply.



Grounding Instructions

- The grounding and bonding of the overall system shall be done in accordance with NEC Article 600 and local codes

LED Area Light

Installation Guide

SSA/SMA Series

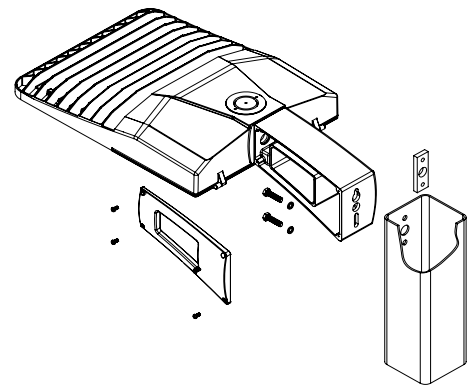
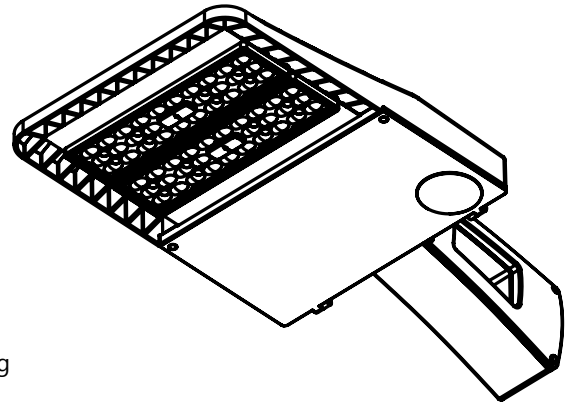
Tools Required:

Phillips Screw Drivers

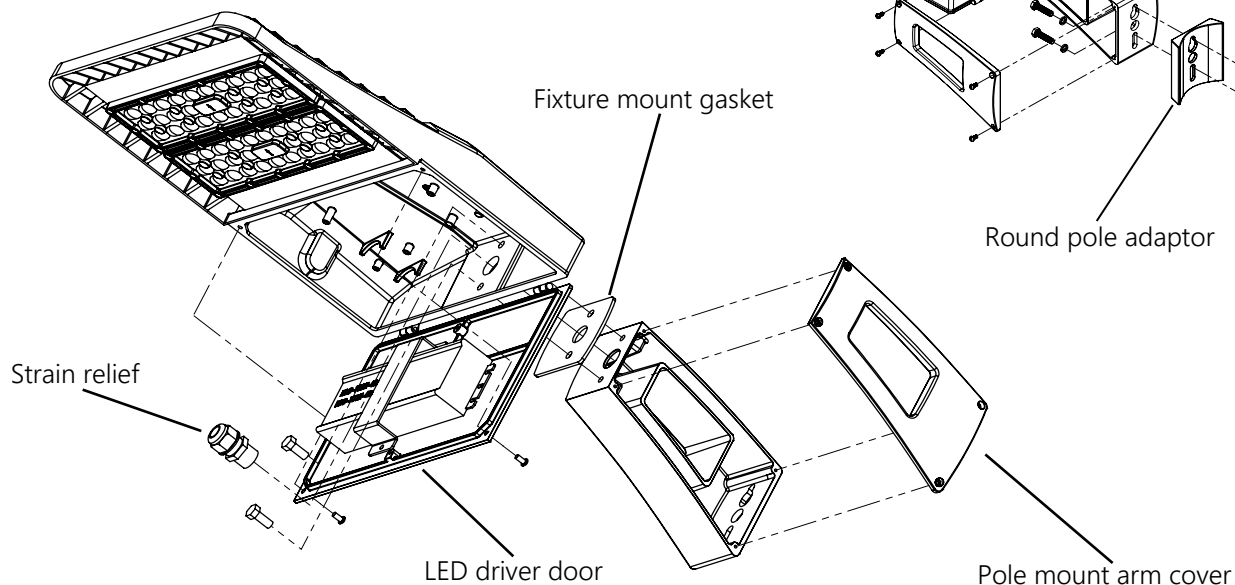
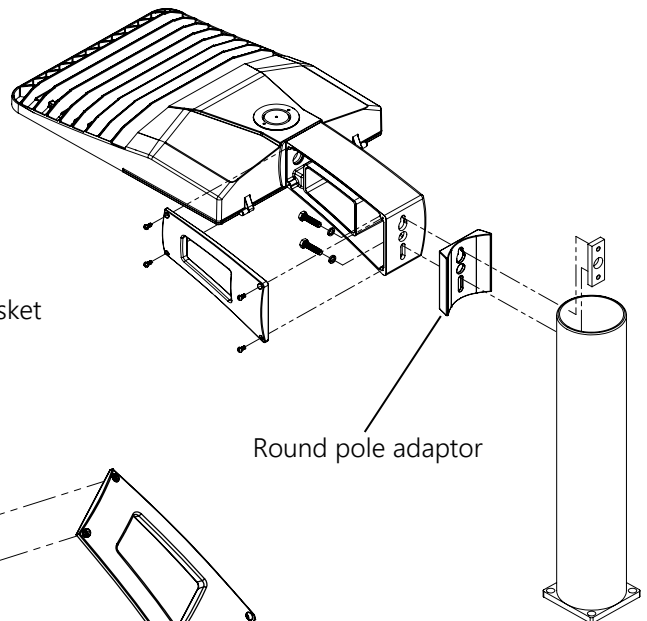
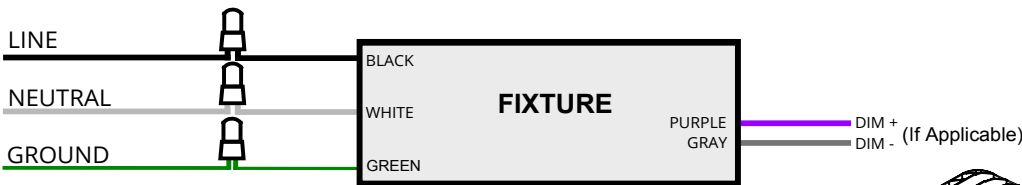
Wire Strippers

Wire Cutters

- Before starting ensure that the power is disconnected.
- Unpack fixture and ensure that there are no damaged parts.
- Pole Mounting:
- Remove the pole mounting arm cover and gasket.
- Feed the included bolts, lock washers and flat washers through the mounting arm holes.
- Align with the holes in the pole and thread through the plate on the inside of the pole.
- Hand tighten the bolts to 20 lbf-in using a hex head ratchet.
- Feed the power cable through the middle hole and connect the power leads with the included wire nuts as seen below. Black to Black(Hot), White to White(Neutral), Green to Green(Ground).
- Replace the gasket and mounting arm cover with the supplied screws.



Standard Wiring Diagram



- Slipfitter (Knuckle) Mounting:
- Slide the slip fitter mount over the tenon bracket.
- Ensure that the power cord is not pinched when feeding through the tenon mount
- Remove cover and loosen bolt to adjust tilt angle on fixture
- When desired angle is reached tighten back up center bolt to secure the angle.
- Tighten the 2 grub set screws on the slip fitter to 15 ft-lbs to secure the slipfitter to the tenon
- Make wiring connections as below

