

INSTALLATION AND ASSEMBLY INSTRUCTIONS

PSE 40 LINEAR LED ENCASED POWER SUPPLY

WARNING: Failure to follow instructions could result in damage to product and void warranties!

WARNING: Risk of fire or electrical shock. Disconnect power before installing or servicing.

WARNING: Verify the existing input voltage and ensure it matches input rating on product label, located on outside the case.

WARNING: Before proceeding, read all instructions carefully to ensure proper and safe installation.

WARNING: Damage to the power supply can result from exceeding maximum output. It is good design practice to limit loading to 80% of maximum output.

IMPORTANT: This product must be installed in accordance with the applicable installation code by a person familiar with the construction and operation of the product and the hazards involved.

CAUTION: TO REDUCE THE RISK OF FIRE, ELECTRIC SHOCK, OR INJURY TO PERSONS:

- Use only insulated staples or plastic ties to secure cord;
- Route and secure cords so that they will not be pinched or damaged when the cabinet is pushed to the wall;
- Position the under-cabinet or shelf mount light with respect to the cabinet so the lamp replacement marking are able to be read during relamping :
and
- Not intended for recessed installation in ceiling, or soffits.

Description:

The PSE 40 is designed with Quick Connect wiring for installation flexibility. The PSE 40 can be simply connected to the LXL/LDL2 with the Quick Connects. Depending on the mounting requirements, you may want to cut the Quick Connect plugs off and then hard wire the LED strips to PSE 40.

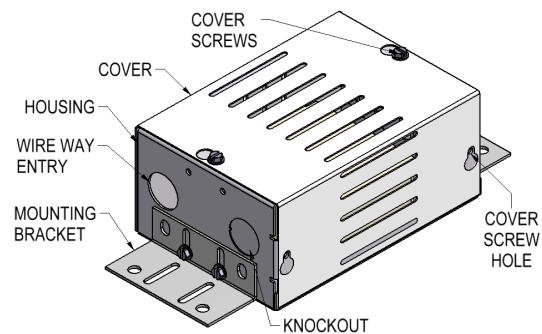


Figure 1

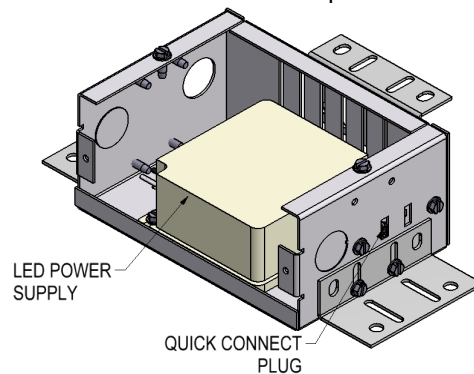


Figure 2

Electrical:

- Input: PSE 40 operates only on 120 VAC, 50/60 Hz
- Output: Maximum 40 watt, 24 VDC.

- PSE 40 (40 watt power supply) operates at a maximum of:
 - 4.5' of LXL, or
 - 6' of LDL2



A Company with a *Smart Vision*

Installation Questions?
Call LSI Field Service Department at:
1-800-436-7800 Ext. 3300 Fax 877-861-1368

LSI Industries Inc. ♦ 10000 Alliance Road ♦ Cincinnati, OH 45242 ♦ 513-793-3200 ♦ Fax (513) 793-0147 ♦ www.lsi-industries.com

INSTALLATION AND ASSEMBLY INSTRUCTIONS

Tools needed:

- Flat head screw driver or 1/4" nut driver.

Mounting procedure:

PSE 40 can be mounted in different orientations. See figure 3 and 4.

Caution: Do not cover ventilation slots on the cover when mounting the unit .

1. Mounting bracket is already assembled to unit.
2. To adjust mounting bracket, loosen mounting screws using flat head screw driver or 1/4" nut driver.
3. Use #10 screws (not provided) to mount PSE 40 to the cabinet wall.

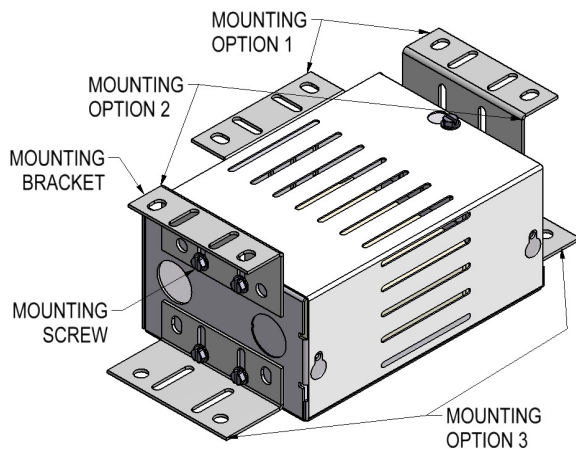


Figure 3

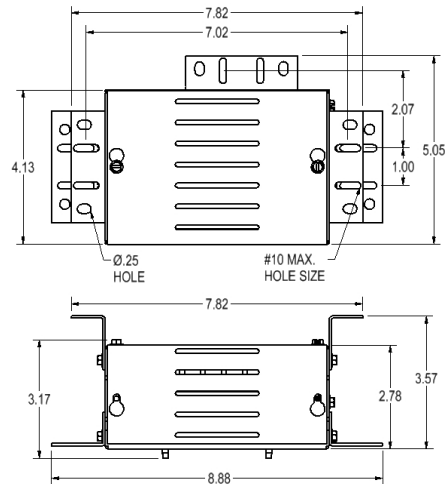


Figure 4

Wiring the unit:

- **Wiring PSE 40 to supply:**
 - Remove cover and set aside.
 - Insert power line thru wire way entry
 - Secure supply line by tighten cable strain relief.
 - Use wire nuts to connect black with black, white with white and green with green
- **Wiring PSE 40 to LED strip:**
 - **PSE 40 with quick connect plug:**
Insert light fixture plug to quick PSE 40 connector plug see figure 5.
 - **PSE 40 by hard-wiring:**
Use wire nuts to connect Blue wire from PSE 40 to Black from LED strip and Red from PSE 40 to white from LED strip.
 - Reinstall cover.

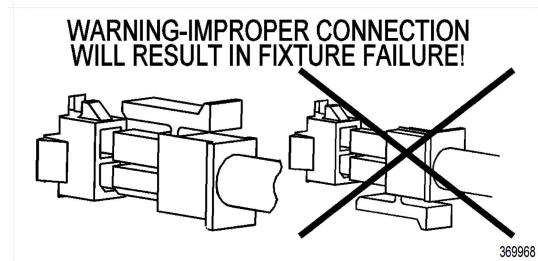


Figure 5



A Company with a *Smart Vision*

Installation Questions?
Call LSI Field Service Department at:
1-800-436-7800 Ext. 3300 Fax 877-861-1368