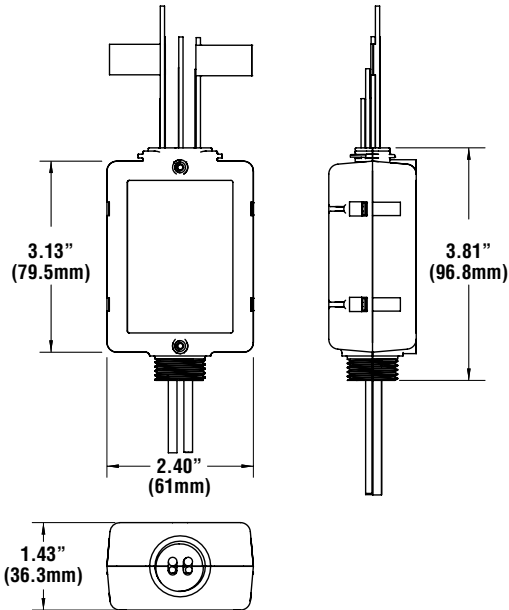


POWER PACK SERIES (OSPP 20Ax)



DIMENSIONS



BASIC OPERATION - Containing both a 24VDC supply and a 20A line voltage relay for most models, the compact power pack provides low voltage power and line voltage control for occupancy sensors. Versions include Auto-ON and Manual-ON inputs for occupancy sensors, Hold-ON and Hold-OFF capabilities and a local input for momentary or maintained dry contact switches.

The internal relay can control up to 20A for 120, 230, 277VAC or 347VAC ballast loads and 120VAC incandescent loads. The power pack conveniently mounts in a knockout hole of a standard junction box. The unit can be placed inside or outside the junction box with a simple twist-on nut.

APPLICATIONS

- Classrooms • Conference rooms
- Load shed/interface hold-OFF applications
- Retail hold-ON/bypass applications

FEATURES

Provides low voltage power and line voltage control for LSI Occupancy Sensors

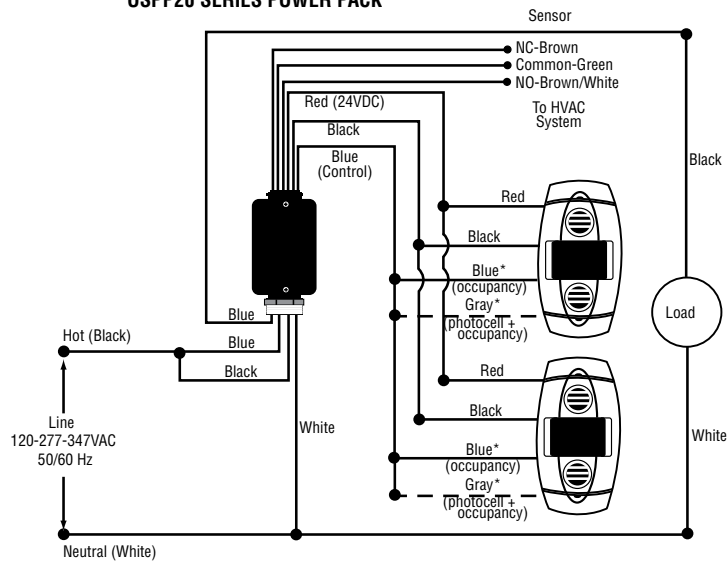
OSPP 20Ax

- Multi-circuit switching
- Ceiling access lighting and energy management controls

OSPP 20AR/OSPP 15-AR-347

- Self-contained transformer and relay
- Internal voltage regulator – regulated 24VDC current, 150mA output
- Fast installation - mounts inside or outside of a junction box, or inside a fluorescent ballast cavity with a simple twist-on nut
- Single or multiple luminaire control
- Zero crossing circuitry
- UL 2043 Plenum Rated
- Dry contact relay for combined sensor control of lighting and heating/air conditioning
- Dry contact for designing controlled closure
- Form A relay for interface to BAS/BMS
- Auto-ON and manual-ON inputs for occupancy sensors
- Hold-ON input – when activated, unit is always ON regardless of any other input
- Hold-OFF input – when activated, unit is always OFF regardless of any other input
- Local inputs for momentary or maintained dry contact low voltage switching
- Robust mechanical latching relay designed to perform as a Form C normally closed device
- Increased power supply output to 255mA
- Upon loss of power, latching relay maintains current state (closed or open)
- H.I.S. >(High In-rush Stability)
- Heavy duty zero crossing circuitry
- Robust mechanical latching relay

OSPP20 SERIES POWER PACK



Project Name _____ Catalog # _____

1-800-436-7800 (Support, Option 8) www.lsi-industries.com

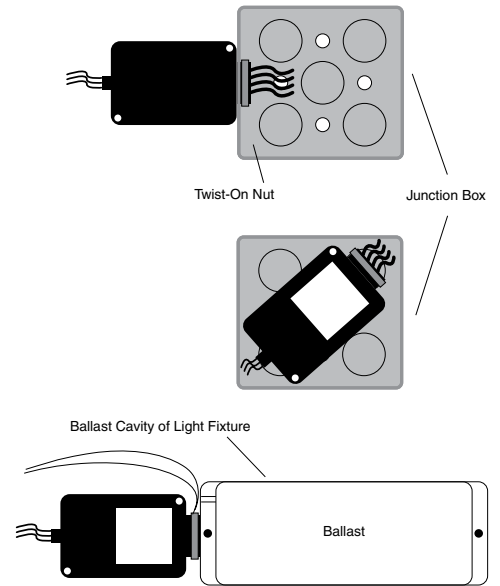
© 2018
LSI INDUSTRIES INC.

POWER PACK SERIES (OSPP 20Ax)

SPECIFICATIONS

ELECTRICAL	
Line Voltage	120-230-277 VAC
Relay Rating	HVAC Relay: 0.5A @ 120VAC, 1.0A @ 30VDC
ENVIRONMENTAL	
Operating Temperature Range	32-104°F (0-40°C)
Relative Humidity	0-90% non-condensing, for indoor use only
OTHER	
Construction	Case: high impact, UL rated plastic Relay: class B (130°C) insulating material; silver alloy contacts Wire: 6" leads, 18AWG input; LV connections: 7" leads 22AWG
Dimensions	2.400"H x 3.811"W x 1.432"D (60.96mm x 96.80mm x 36.37mm)
Listings	UL/CUL Listed, FCC Certified, NOM Certified, and meets ASHRAE Standard 90.1 2010 requirements
Color	Black
Warranty	Limited five-year warranty

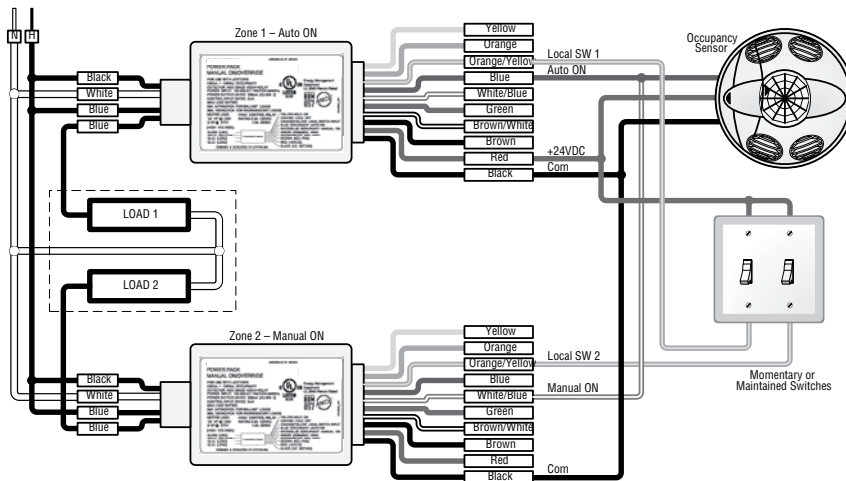
MOUNTING



ORDERING INFORMATION

Part No.	Description	Cat. No.	Power Input	Relay Rating	Control Input	Power Supply Output
596057	Power Pack with Dry Contact Relay	OSPP 20AR	120-230-277VAC, 50/60 Hz	20A fluorescent/incandescent @ 120V, 20A fluorescent @ 277V; 1HP @ 120V, 2HP @ 240V; HVAC: 0.5A @ 120VAC, 1A @ 30VDC	5mA, 24VDC	150mA, 24VDC
596059	Power Pack with Dry Contact Relay and Override Inputs for Occupancy Sensors	OSPP 20AT24	120-230-277VAC, 50/60 Hz	20A fluorescent/incandescent @ 120V; 20A fluorescent @ 277V; 1HP @ 120V, 2HP @ 240V; HVAC: .05A @ 120VAC, 1A @ 20VDC and 15A fluorescent @ 347V; 1HP @ 120V; 2HP @ 240; HVAC: 0.5A @ 120V, 1A @ 30VDC	5mA, 24VDC	225mA, 24VDC
596064	Power Pack with Dry Contact Relay and Override Inputs for Occupancy Sensors	OSPP 15AR-347	347VAC, 60 Hz	15A fluorescent @ 347V; 1HP @ 120V, 2HP @ 240V; HVAC: 0.5A @ 120VAC, 1A @ 30VDC	5mA, 24VDC	120mA, 24VDC

OSPP20-AT24 BI-LEVEL SWITCHING



WIRING DESIGNATIONS

SIGNAL TYPE	LINE VOLTAGE	COLOR	GAUGE
LINE VOLTAGE WIRES			
Line	120-230-277VAC (OSPP-20AR)	Black	18AWG
Neutral		White	18AWG
Load		Blue	14AWG
Load		Blue	14AWG
CLASS 2 WIRES			
Power (24VDC)		Red	22AWG
DC Return		Black	22AWG
Occupancy Auto-ON		Blue	22AWG
Occupancy Manual-ON		Blue/White	22AWG
Hold-ON		Yellow	22AWG
Hold-OFF		Orange	22AWG
Local Switch Input		Yellow/Orange	22AWG
HVAC WIRES			
Dry Contact Common		Green	22AWG
Dry Contact NO (Normally Open)		Brown/White	22AWG
Dry Contact NC (Normally Closed)		Brown	22AWG

- All wires rated at 221°F (105°C), 600V insulation
- Class 2 wires are Teflon jacketed, for plenum applications
- Dry contact wiring is Class 1 and Class 2 rated

POWER PACK CAPACITY FORMULA

Power packs can be used to provide power to one or more occupancy sensors. Since current consumptions of occupancy sensors may vary, the best way to ensure you order the correct number of power packs and add-a-relays is by using this formula:

$$\left(\begin{array}{c} \# \text{ of sensor} \\ \text{Model As} \\ \times \\ \text{Sensor A current} \\ \text{consumption} \end{array} \right) + \left(\begin{array}{c} \# \text{ of sensor} \\ \text{Model Bs} \\ \times \\ \text{Sensor B current} \\ \text{consumption} \end{array} \right) + \left(\begin{array}{c} \# \text{ of Add a} \\ \text{Relays} \\ \times \\ 50\text{mA} \end{array} \right) < 150\text{mA} \text{ per power pack}$$

DESCRIPTION	CURRENT CONSUMPTION
OS 15C I WH, OS HM I WH, OS ACW I WH	10-15mA
OS 05C M WH, OS 12W M WH	25mA
OS 20C M WH	30mA



Project Name _____ Catalog # _____

1-800-436-7800 (Support, Option 8) www.lsi-industries.com

© 2018 LSI INDUSTRIES INC.