

LED MICRO WALL WASH (MWW)

PRODUCT HIGHLIGHTS

- Recessed installation hides source while providing uniform illumination of vertical surfaces / displays
- Narrow design for design specific applications
- Accent finish options for brightness control and aesthetics
- Very high efficiency

EXPECTED LIFE - Projected life of at least 60,000 hours. Contact factory for TM-21 detail.

LEDs - Use of closely-spaced medium-power, high-brightness chips minimizes pixelation and provides uniform lens luminance. Available in Cool White (5000K), Neutral White (4000K) and Warm White (3500K) color temperatures. CRI \geq 80 (CW $>$ 70). LM-80 reports available.

HOUSING - Housing, brackets and end sections are constructed from code gauge, die formed steel. All metal parts are painted after fabrication following a treatment with a phosphate rust inhibitor.

SHIELDING/LENS: High Performance 95% reflective white reflector is standard for precision directed wall wash use. Optional accent trim and kicker reflector trim finishes available for many decorative applications.

MOUNTING: Designed for either grid or hard ceiling installations where ceiling access may be limited or completely restricted. All internal components are accessible from below the ceiling.

ELECTRICAL - Universal voltage (120-277 Vac) input, 50/60 Hz. Power factor $>$ 0.9, THD $<$ 20%, in-rush current $<$ 15 Amps.

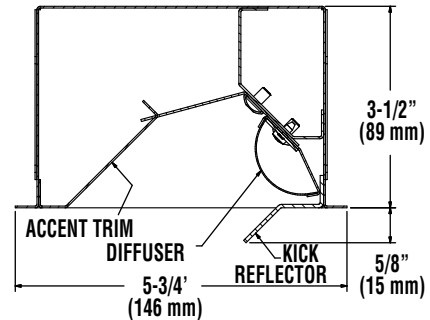
DRIVER - High-performance isolated driver features over-voltage, over-current and short-circuit (with auto-recovery) protection. Driver module is sealed to IP66 protection levels, with a Class A sound rating. 0-10 volt dimming standard.

FINISH - All metal parts painted after fabrication following treatment with phosphate rust inhibitor. Finish coating of housing reflecting surfaces is with high-reflectance (minimum 92%) polyester powder.

WARRANTY - Limited 5-year warranty.

PHOTOMETRICS - Please visit our web site at www.lsi-industries.com for detailed photometric data.

LISTING - Listed to UL1598 and other U.S. and Canadian safety standards



Description	SS - Super Saver			HO - High Output			Watts	
	WW	NW	CW	WW	NW	CW	SS	HO
2'	2040	2390	2550	2400	2795	3075	28	35
4'	2285	2445	2750	3480	3710	4280	28	45

LED Chips are frequently updated therefore values may increase.

This product, or selected versions of this product, meet the standards listed below. Please consult factory for your specific requirements.



ORDERING INFORMATION

TYPICAL ORDER EXAMPLE: **MWW 4 LED HO NW WHT BLK UE CPL**

Prefix	Length	Light Source	Lumen Output	Color Temperature	Accent Trim Finish	Kick Reflector Finish	Line Voltage	Options
MWW - LED Wall Wash	2 - 2' 4 - 4'	LED	HO - High Output SS - Super Saver	CW - Cool White (5000K) NW - Neutral White (4000K) WW - Warm White (3500K)	BLK - Black WHT - White	BLK - Black SLVR - Silver WHT - White	UE - Universal Electronic (120-277V)	EM - Emergency Battery Pack 1 CPL - CCEA Chicago Approved SD50 - Step Dimming to 50%

1- EM ballast available only with a remote test switch

Description	Order Number	Description	Order Number
Flange Kit - 2 Foot	FKMWW2	Flange Kit - 4 Foot	FKMWW4



Project Name _____ Fixture Type _____
Catalog # _____