

Installation Instructions



LCL4 LED Strip Series Installation Instructions

⚠ WARNING

- To reduce the risk of death, personal injury or property damage from fire, electric shock, falling parts, cuts/abrasions, and other hazards, read all warnings and instructions included with this product and all product labels.
- Before installing, servicing, or performing routine maintenance upon this equipment, follow these general precautions.
- Commercial installation, service and maintenance of luminaires should be performed by a qualified, licensed electrician.
- If you are unsure about the installation or maintenance of the luminaires, consult a qualified, licensed electrician, and check your local electrical code.
- To prevent wiring damage or abrasion, do not expose wiring to edges of sheet metal or other sharp objects.
- Do not make or alter any open holes in an enclosure of wiring or electrical components during installation.

⚠ WARNING

- Turn off electrical power at the fuse or circuit breaker box before wiring the luminaire to the power supply.
- Turn off the power before performing any maintenance.
- Verify that supply voltage is correct by comparing it with the luminaire label information.
- All wiring connections should be capped with UL approved wire connectors.

⚠ CAUTION

- Avoid direct eye exposure to the light source while it is on.
- Account for small parts and destroy packing material, as these may be hazardous to children.
- To avoid the risk of burning, disconnect power and allow the luminaire to cool before handling it.

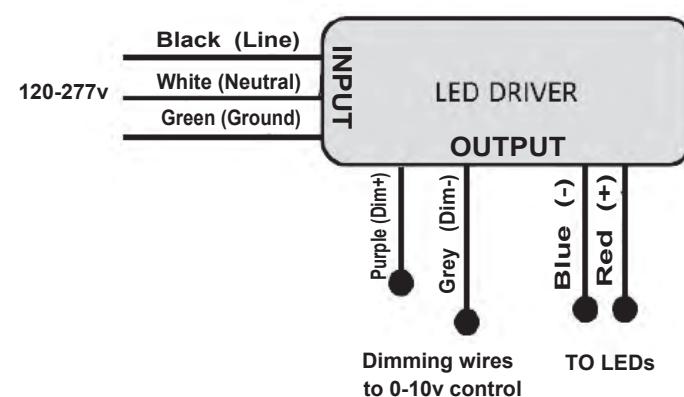
NOTICE: Green ground screw is provided in the proper location. Do not relocate the screw.

NOTICE: Use minimum 90° C supply conductors.

NOTICE: Specifications and dimensions subject to change without notice.

NOTICE: Suitable for dry or damp locations.

General Wiring Diagram



After installing the luminaire, make wiring connections as shown in the wiring diagram.

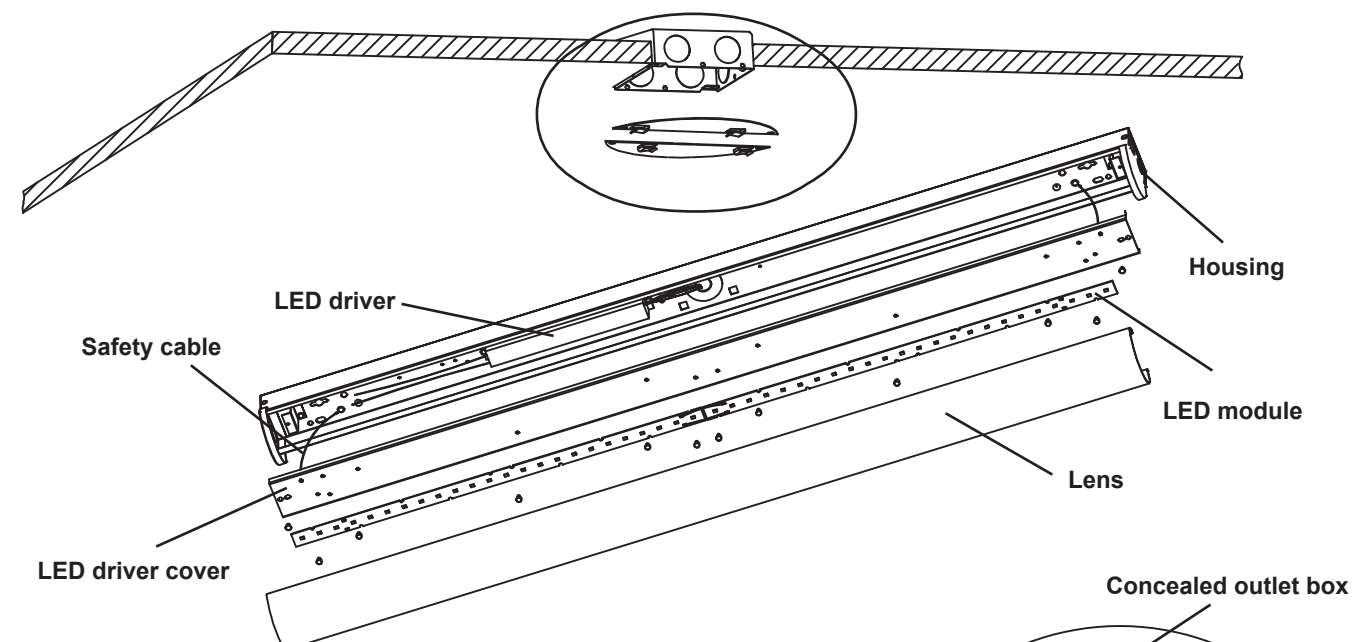
- Connect the black luminaire input power wire to the supply line (hot) wire.
- Connect the white luminaire input power wire to the supply neutral wire.
- Connect the green luminaire input power wire to a ground wire or surface.

If a dimming control is used, connect the purple (DIM+) dimming wire to the purple wire from the 0-10v dimming control, and connect the grey (DIM-) dimming wire to the grey wire from the 0-10v dimming control. If a dimming control is not used, cap the driver dimming leads with UL approved wire nuts.

Installation Instructions



LCL4 LED Strip Series Installation Instructions



Mounting Options

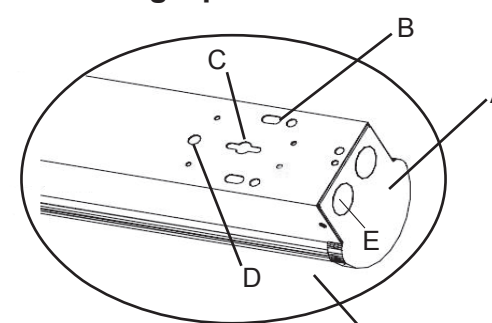
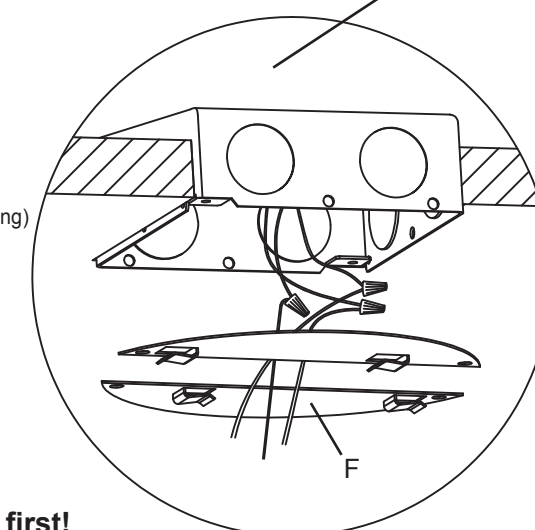


Figure 1

- A:** End Cap
- B:** Slot for V hook (used with chain mounting)
- C:** Slot for surface mounting fasteners
- D:** Slot for T-Bar clip mounting
- E:** Wiring Knockouts
- F:** Outlet box cover (2 pieces)



Installation Steps:

Always turn off the power supply from the main circuit breaker first!

- B:** Chain Mounting with V hook
Attach customer supplied V-Hooks to each end of the luminaire base. Attach customer supplied chain to the V-hooks and mounting surface.
- C:** Surface Mounting
Secure luminaire base to mounting surface by inserting suitable fasteners (provided by others) into the key hole slots on the top side of the luminaire housing, and attaching the fasteners to a mounting surface.
- D:** T-Bar Clip Mounting
Attach T-Bar clips (provided by others) to the designated slots on the luminaire housing as shown in Figure 1. Position the luminaire into the T-Bar ceiling grid and secure the luminaire to grid.

Connect incoming power to driver. Use the General Wiring Diagram on page 1 for reference. Make sure the power supply is disconnected before installing.

If electrical conduit is used to supply incoming power to the luminaire, remove wiring knock outs (see E above), and use appropriate fittings (provided by others) to attach conduit to the luminaire.

If power is supplied through an outlet box, attach the enclosed outlet box covers (see F above) to the slots on the back of the luminaire to ensure that the outlet box is entirely covered.