



Excursion

Parking Garage Luminaire



Edge-Lit, Glare-Free
LED Technology



Refined Illumination



Refined design. Striking results.

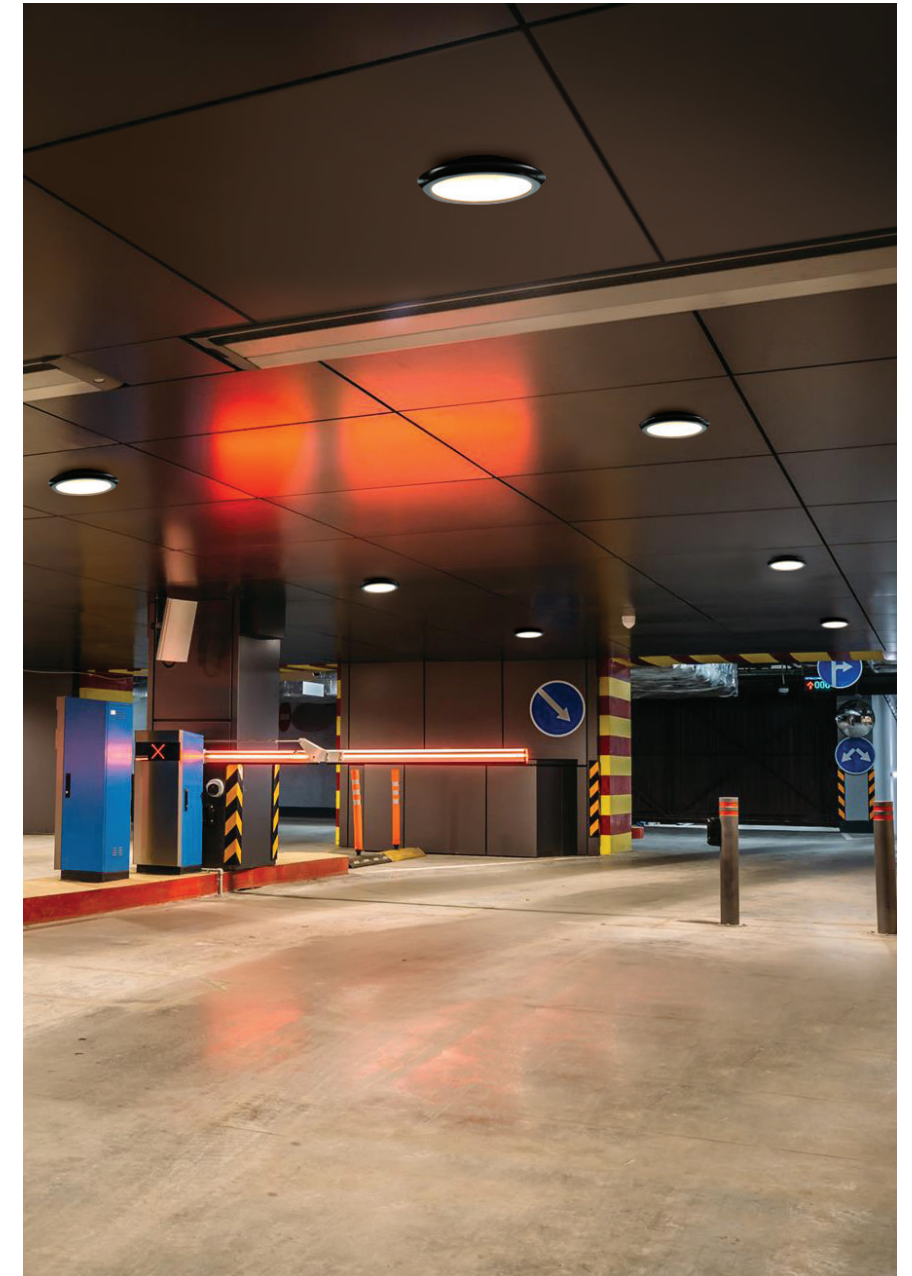
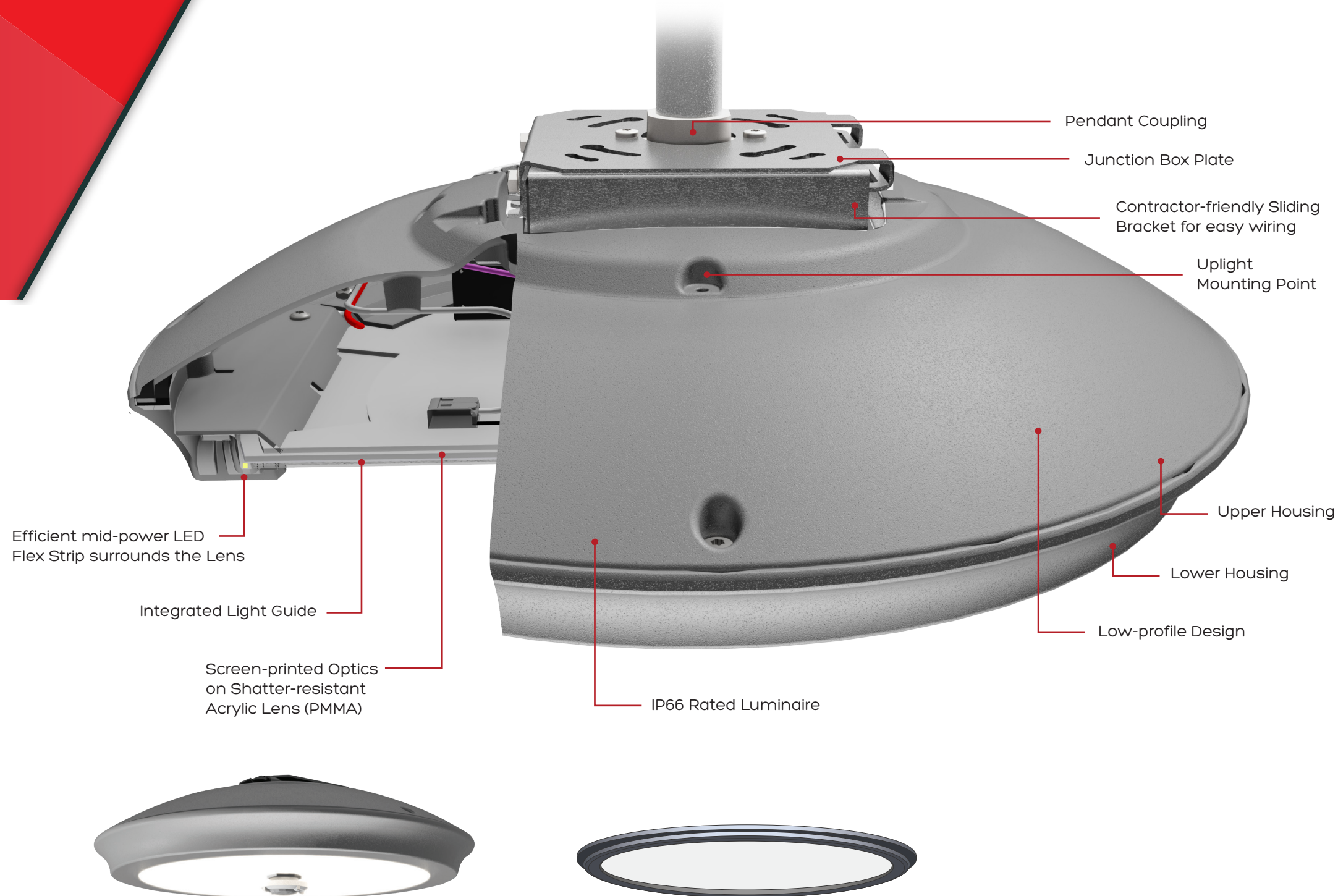
Meet the new standard in edge-lit luminaires. This elegant luminaire combines subtle design with the most advanced technology available in the market. Its seamless appearance takes minimalist design to the next level. The LSI Excursion delivers the innovative features you've come to expect from LED technology and wireless controls, while eliminating unsightly hardware.



Adaptable Design Styling

The enduring design and visual comfort of the LSI Excursion compliment architectural settings that demand conventional or classic styling. With a wide variety of color temperatures and distributions, the Excursion can be configured to deliver ideal illumination to an extensive range of environments including parking garages, stairwells, low-bay and canopy applications.

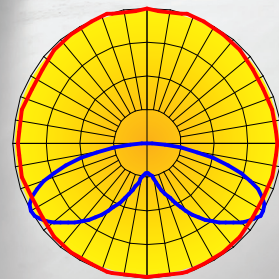
Technology Meets Visual Comfort



Ideal Illumination

Type V Wide

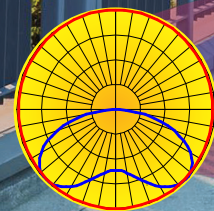
Wide/round symmetric distribution for general parking garage applications that require even illumination for safety.



Flexible Design

Type V Narrow

Narrow/round concentrated distribution for entrances and pedestrian areas where more illumination is desired.



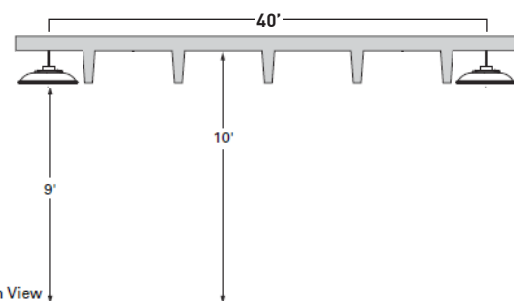
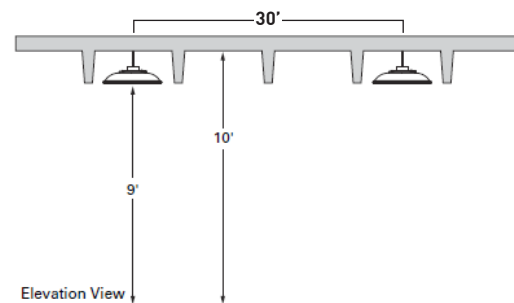
Design Practices

IESNA RP-20-14 Recommended Maintained Illuminance Values for Parking Garage Facilities

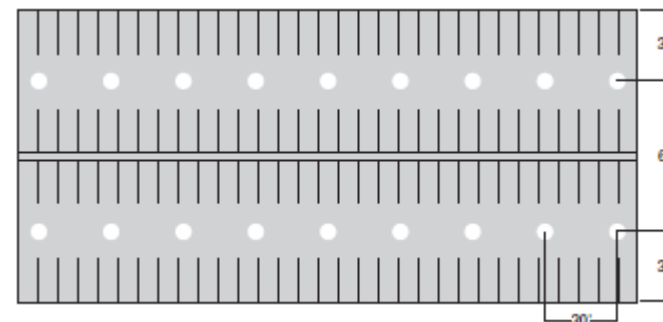
Area of Illumination	Minimum Footcandle Level (on Floor)	Maximum/Minimum Footcandle Level (on Floor)	Vertical Reading Area of Illumination (on Floor)	Minimum Footcandle Level (60" Above Floor) ¹
Basic	1.0	10.1	Basic	0.5
Ramps (Day)	2.0	10.1	Ramps (Day)	1.0
Ramps (Night)	1.0	10.1	Ramps (Night)	0.5
Entrance Area (Day)	50	10.1	Entrance Area (Day)	25
Entrance Area (Night)	1.0	10.1	Entrance Area (Night)	0.5
Stairways	2.0	N/A	Stairways	1.0

Note: 1. Vertical reading is taken at lowest point of horizontal illumination level.

Lighting design for parking structures normally follow specific published guidelines and design practices as defined by the Illuminating Engineering Society of North America (IESNA). IESNA publishes recommended guidelines to help facilitate garage lighting design. These minimum guidelines are established for safety and security of pedestrians and property within the space.

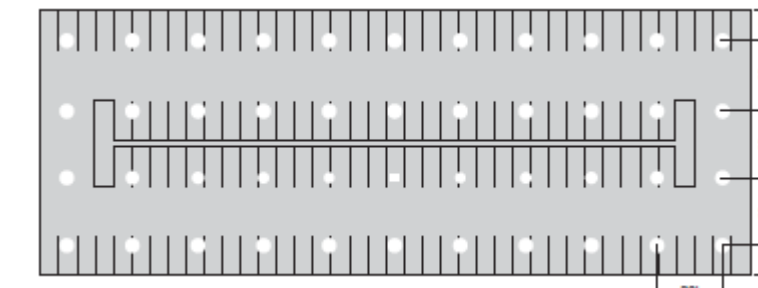


Center of Drive Fixture Location



Fixture spacing = 30' centered down drive lane; 60' on center between driving lanes (one per bay). Fixtures mounted 9' to bottom of fixture, even with the bottom of t-joists.

Sides of Drive Fixture Location



Fixture spacing = 30' x 30' on center spacing (two per bay). Fixtures mounted 9' to bottom of fixture, even with the bottom of t-joists.





AirLink Wireless Lighting Controls

The Excursion has two integrated control platform options:

1

Stand-alone controls

- The integral sensor (IMS) is mounted to the fixture and provides multi-level switching in response to detection
- The optional configurator tool makes it easy to customize the fixture settings and is capable of storing and transmitting sensor profiles



IMS Integral Sensor



IMS/PC Remote Configurator Tool

2



AirLink™
enabled by Synapse®

The LSI AirLink™ Wireless Lighting Controls System

- The factory-integrated LSI AirLink wireless lighting controller (ALSC UNV) links each fixture into the AirLink system
 - Real-time light monitoring and control with utility-grade power monitoring
 - 24V sensor input and power supply to connect up to two sensors to each fixture
- Achieve code compliance
- Add other controls components to your system to provide zone dimming, daylight harvesting, motion detection, scheduling, simple switching, HVAC integration for a variety of fixtures and areas
- The LSI AirLink Site Manager web app gives users full seamless control of their site from their smartphone



AirLink™
enabled by Synapse®

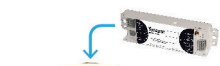
Wireless Controls & Sensors



Wireless & Override Switches



Occupancy/Vacancy & Daylight Sensors



LSI AirLink-integrated Fixtures



LSI AirLink-compatible Fixtures

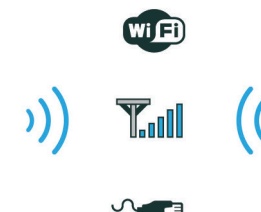


Circuit & Zone Controllers

Centralized Control & Integration



Site Manager Controller



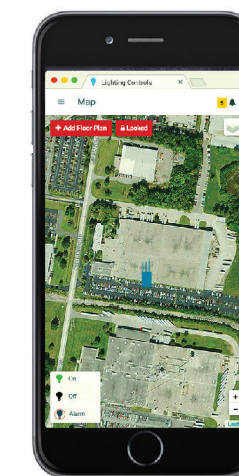
WiFi, Cellular or Ethernet Connection



Gateway Module



Simple-to-use Software



LSI AirLink Site Manager: Lighting Control Web App

Whether you're expanding your business or renovating your building, LSI AirLink is always ready to adapt. LSI AirLink's scalability allows it to be added to or altered at any time. If you decide to make your system BACnet compatible after the installation process, no problem! LSI AirLink is designed to accommodate the ever-changing needs of your business.

Contact LSI Controls



Sales
controls.sales@lsi-industries.com



Support
controls.support@lsi-industries.com
1 (800) 436-7800 (support, option 8)



More information
For more information on AirLink, visit our website at www.lsi-airlink.com/airlink

Intelligent Design

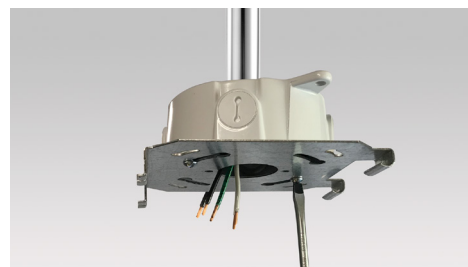
All aspects of the design, from the curved bevel to the arch that bends just enough to hide any seams or hardware, were uniquely designed to maximize visual comfort and performance.



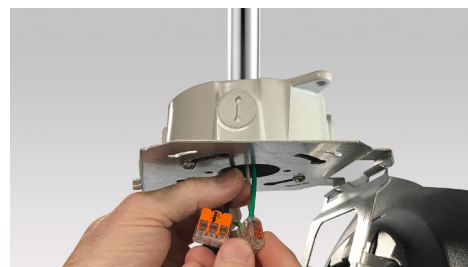
The LSI Excursion Engineering Team considered every aspect of the mounting process, resulting in a thoughtful and robust luminaire optimized for easy installation in the field.

Simple Installation

The Excursion goes one step further than best-in-class aesthetics and visual comfort - it's also the most installer-friendly luminaire in its class with hanging innovations that distinguish it from the competition.



Step 1
Remove junction box plate from luminaire and attach to junction box in preparation for wiring.



Step 2
Hang fixture from junction box plate using sliding bracket mount and make wiring connections. Position wires inside junction box.



Step 3
Swing fixture closed and tighten two fasteners completing fixture installation.

Ordering Guide

TYPICAL ORDER EXAMPLE: **EXN D EGLED 8L T5W UNV DIM 40 70CRI ALSCS MSV**

Family	Mounting	LED Technology	Lumen Package*	Distribution	Voltage	Dimming	Color Temperature
EXN - Excursion Parking Garage Luminaire	D - Direct Mount P - Pendant Mount†	EGLED - Edge-Lit LED	3L - 3000 lms 5L - 5000 lms 6L - 6000 lms 8L - 8000 lms 10L - 10000 lms 11L - 11000 lms	T5W - Type V Wide T5N - Type V Narrow	UNV - Universal Electronic (120V-277V) HV - High Voltage (347V- 480V)	DIM - Dim to 10% (0-10V)	27 - 2700K ² 30 - 3000K ² 40 - 4000K 50 - 5000K

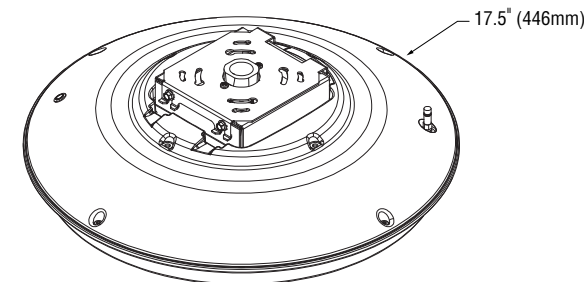
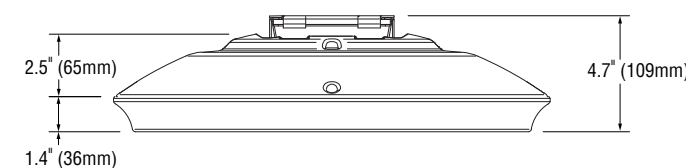
Color Rendering	Controls	EM	Finish	Packaging
70CRI - 70 Color Rendering Index 90CRI - 90 Color Rendering Index ²	Blank - No Controls ALSC - Airlink Synapse Wireless Digital Controller ³ ALSCS1 - Airlink Synapse Wireless Digital Controller with Sensor (mounting 8 to 12 feet) ^{3,4} ALSCS2 - Airlink Synapse Wireless Digital Controller with Sensor (mounting 12 to 20 feet) ^{3,4} IMSOM1 - Integral Motion / Daylight Sensor (mounting 8 to 12 feet) ⁴ IMSOM2 - Integral Motion / Daylight Sensor (mounting 12 to 20 feet) ⁴ EXT- 0-10V Dimming from External Source	Blank - No Option BB - Battery Backup ⁶ CWBB - Cold Weather Battery Backup ⁶	BLK - Black WHT - White MSV - Metallic Silver BRZ - Bronze	Blank - Single Pack JP - Job Pack (2 luminaires)

Accessory Ordering Information (Accessories are field installed)

Description	Part Number
Slope Ceiling Aligner (decorative round, gloss white)	163112
Slope Ceiling Aligner (utility round, zinc plated)	100944
Slope Ceiling Aligner (utility square, zinc plated)	100902
IMS / IPC Remote Configurator Tool	584929
Tamper Resistant Hardware Kit	684704
Bird Guard (Available soon)	684706
House-Side Shield (Available soon)	684707

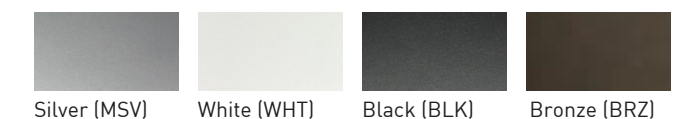
Footnotes:

- * Lumen output can be adjusted at factory between 5000 and 11000 lumens. For specific lumen performance, refer to Delivered Lumens chart.
- 1 - Pendant stems must be ordered separately (supplied by others). Cord length is five feet long. Consult factory for longer cord lengths and lead time.
- 2 - Consult factory for 90CRI lead time and DLC Qualification Information.
- 3 - Consult factory for HV with AirLink Synapse Wireless Digital Controller.
- 4 - IMS is a dual sensor which includes daylight harvesting and motion.
- 5 - Sensitivity level of sensor is adjustable via a hand held remote; must be ordered separately.
- 6 - Battery Backup and Cold Weather Battery Backup available in UNV only; not available with external dimming or 10L and 11L. BB rated 50°C to 10°C. CWBB rated 50°C to -20°C.



Specifications and dimensions subject to change without notice.

Finishes



Arm Mount (available soon)

Innovative design easily attaches to the top of the luminaire. Mounting plate anchors to the junction box which allows the arm mount and luminaire to slide into place. Ideal for stairwells or pedestrian areas where ceiling mounting isn't an option.





LSI Industries Inc.
10000 Alliance Rd.
Cincinnati, OH 45242
513-793-3200

www.lsi-industries.com

Atlas
Lighting Products®

GREENLEE

Abolite

AirLink™

SCOTTSDALE

 **poles**

 **smartvision™**
an  Solution



Assembled in USA by a USA workforce of USA and foreign parts using state-of-the-art equipment at our award-winning manufacturing facility.