

# INSTALLATION AND ASSEMBLY INSTRUCTIONS

## EG3 Series Installation Instructions 6/08

**WARNING:** Before proceeding, read all instructions carefully to insure proper and safe installation.

**WARNING:** Risk of fire or electrical shock. Disconnect power before installing or servicing.

**WARNING:** Risk of electrical shock. High temperatures inside luminaire. Make certain line voltage corresponds with ballast's primary voltage. (See ballast label).

**WARNING:** All wiring to be performed per National Electrical Code and local code by a qualified electrician.

**IMPORTANT –** When lamping, always wear eye protection. Make sure area below fixture is clear.

**Note:** If lamp is installed dirty, operating hours and performance will significantly decrease.

1. Install Mounting Brackets (Hardware supplied by others)
2. Remove Diffuser via Stainless Steel Latches.
3. Remove Reflector via “4” quarter-turn fasteners.
4. Install Fixture Housing;
  1. Install one side of Housing into bracket.
  2. Rotate up & snap other side of Housing into bracket.
5. Wire Fixture;
  1. Squeeze Retainer Clips to release “Ballast Tray” and allow tray to hang freely, via Safety Tether.
  2. Execute wiring per NEC.
  3. Snap Ballast Tray back into place, over Retainer Clips.
6. Install Reflector via “4” Quarter Turn Fasteners.

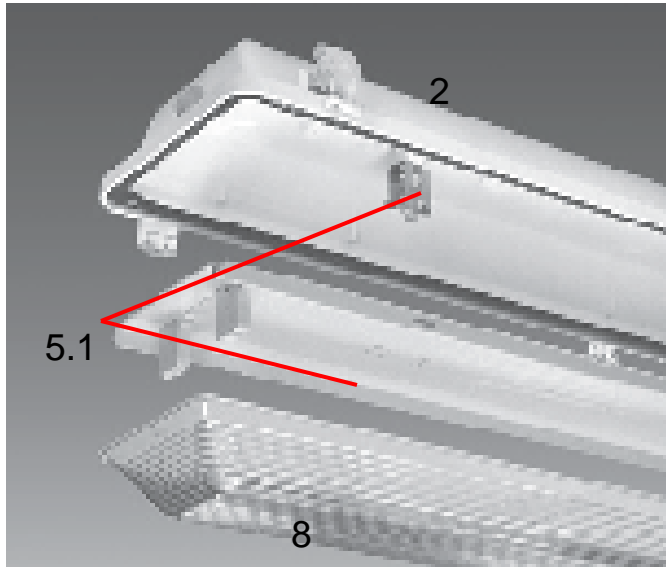
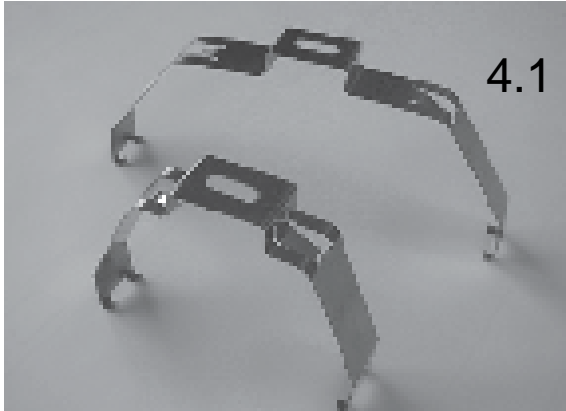


A Company with a *Smart Vision*

Installation Questions?  
Call LSI Field Service Department at:  
1-800-436-7800 Ext. 3300 Fax 877-861-1368

## INSTALLATION AND ASSEMBLY INSTRUCTIONS

7. Install Lamps
8. Install Diffuser lens via Stainless Steel Latches, once the Housing is securely installed into the Bracket.



Installation Questions?  
Call LSI Field Service Department at:  
1-800-436-7800 Ext. 3300 Fax 877-861-1368