

INSTALLATION AND ASSEMBLY INSTRUCTIONS

SMARTVISION®

LCD4 / LCD6 / LCD8 / LAD3SQ / LAD4SQ / LAD5SQ / LAD6SQ Series

(Type non-IC)

WARNING: Failure to follow instructions could result in damage to product and void warranties!

WARNING: Risk of fire or electrical shock. Disconnect power before installing or servicing.

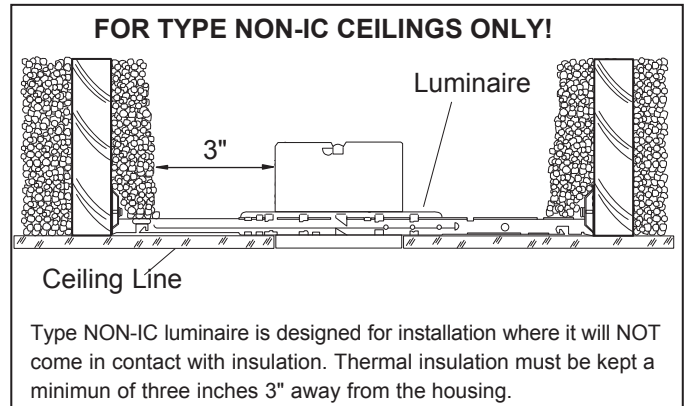
WARNING: Verify the existing input voltage and ensure it matches input rating on luminaire's product label, located on inside of access cover.

WARNING: Before proceeding, read all instructions carefully to ensure proper and safe installation.

IMPORTANT: This product must be installed in accordance with the applicable installation code by persons familiar with the construction and operation of the product and the hazards involved.

INSTALLATION INTO NEW DRYWALL

1. Extend hanger bars to fit between joists. Align the flange of the hanger bar with the underside of the joists, then nail the hanger bar to joist (Fig. 1). Do same for opposite side of hanger bar. Repeat this for other hanger bar.
2. Position luminaire between joists at desired location by sliding housing on hanger bars. Once housing is in desired location, squeeze tabs into both hanger bars to lock in place (Fig. 1).
3. Wire luminaire per NEC and local code.
4. Locate center of luminaire opening in ceiling material. See chart below for cutout size.



Model	Hole Cutout Size
LCD4	5" x 5" (127 x 127mm)
LCD6	6-1/2" x 6-1/2" (165 x 165mm)
LCD8	8-1/8" x 8-1/8" (206 x 206mm)
LAD3SQ	3.8" x 3.8" (97 x 97mm)
LAD4SQ	4-15/16" x 4-15/16" (125 x 125mm)
LAD5SQ	5-1/2" x 5-1/2" (140 x 140mm)
LAD6SQ	7" x 7" (178 x 178mm)

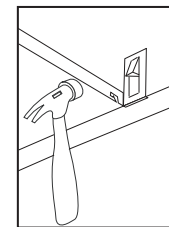
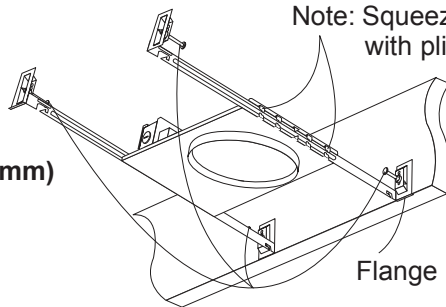


Figure 1

INSTALLATION INTO SUSPENDED CEILINGS

1. Locate luminaire proposed center in ceiling tile. Locate center of luminaire opening in ceiling material. For model LAD3SQ cut a 3.8" (97mm) square hole, for LAD4SQ cut a (111mm) square hole.
2. Place ceiling tile into T-bar grid.
3. Place luminaire into position and snap bar hanger foot with integral T-bar (clips into T-bars). See Fig. 2.
4. Secure hanger bars to T-grid and properly support luminaire from building structure.
5. To secure luminaire position in ceiling, squeeze tabs into hanger bars to lock luminaire into place on hanger bars.
6. Wire luminaire per NEC and local code. Install trim.

Figure 2

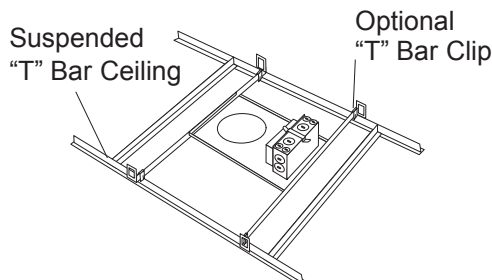
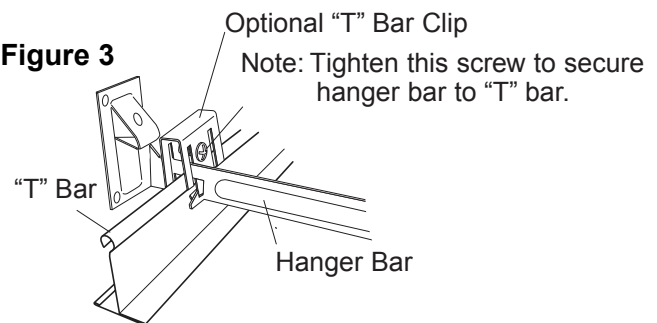


Figure 3



Installation Questions?
 Call LSI Field Service Department at:
 1-800-436-7800 Ext. 3300
 Fax: 1-877-861-1368