



Catalog #: \_\_\_\_\_ Project: \_\_\_\_\_ Type: \_\_\_\_\_

Prepared By: \_\_\_\_\_ Date: \_\_\_\_\_

# BKA \*ISF

## Internal Slip Fitters



### OVERVIEW

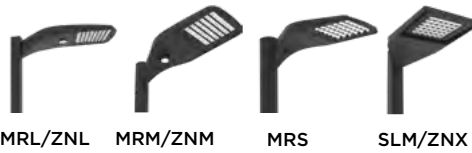
EPA	0.2
Size (H)	17"
Weight lbs	7 lbs

### FEATURES & SPECIFICATIONS

- The Internal Slip Fitter allows for mounting LSI luminaires to the top of a 4" or 5" square pole. Available drilling for double and quad luminaire head configurations.
- Allows you to seamlessly integrate LSI luminaires and quick mount brackets to square poles with 11 ga. Or 7 ga. Wall thickness.
- Rugged Die Cast Aluminum Fitter
- Internal Slip Fitter finished with LSI's DuraGrip polyester powder coat finishing process. The DuraGrip finish withstands extreme weather changes without cracking or peeling. Other standard LSI finishes available. Consult factory.

### COMPATIBLE FIXTURES

#### BKA X\*ISF



#### BKA \*ISF



### TYPICAL ORDER EXAMPLE: BKA 5ISF Q90 BLK

Prefix	Drilling	Finish
<b>BKA 4ISF</b> - 4" B5 Internal Slip Fitter	<b>D180</b> <b>Q90</b>	<b>BRZ</b> - Bronze
<b>BKA 5ISF</b> - 5" B5 Internal Slip Fitter		<b>BLK</b> - Black
<b>BKA X4ISF</b> - 4" B3 Internal Slip Fitter		<b>MSV</b> - Metallic Silver
<b>BKA X5ISF</b> - 5" B3 Internal Slip Fitter		<b>GPT</b> - Graphite
		<b>WHT</b> - White
		<b>SVG</b> - Satin Verde Green
		<b>PLP</b> - Platinum Plus

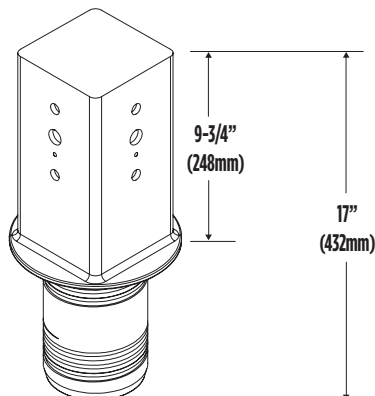


**Need more information?**  
[Click here for our glossary](#)

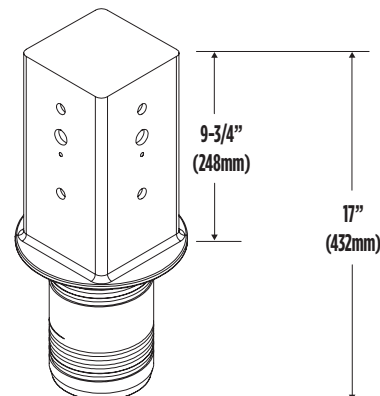
**Have additional questions?**  
 Call us at (800) 436-7800



### PRODUCT DIMENSIONS



BKA X\*ISF



BKA \*ISF

