

# INSTALLATION AND ASSEMBLY INSTRUCTIONS

## AUD, AUP, & AUT AUGUSTA® SERIES and AULD, AULP, & AULT AUGUSTA® SERIES

**WARNING:** Risk of fire or electrical shock. Disconnect power before installing or servicing.

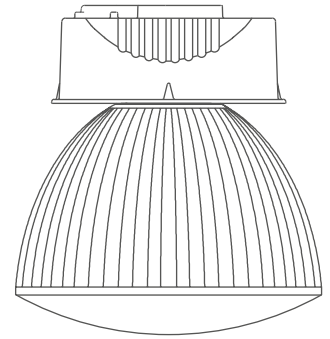
**WARNING:** While Trunion Mount and WL models are voltage-specific, other models use MT ballasts.

Verify the existing input voltage and choose matching voltage on Multi-tap ballast before wiring.

**IMPORTANT:** UL Wet Location Listing is void if HCP (Hook, Cord, and Plug) option is used!

**WARNING:** Wiring to be performed by Qualified, Licensed Electrician!

**NOTE:** Individually cap off unused ballast taps. Failure to cap off unused ballast leads individually may short out luminaire and void warranty!



### AUD & AULD SERIES SURFACE (DIRECT) MOUNT

- Loosen (do not remove) front mounting screw securing hinge plate. See Figure 1. **Note: If application requires Wet Location Listing, RTV (supplied by others) must be applied between luminaire mounting plate and ceiling/junction box.**
- Swing plate up and determine which keyholes are required for junction box (supplied by others). See Figure 1.
- With plate partially hinged open for viewing, place luminaire on junction box using keyholes. Tighten junction box screws securing luminaire to ceiling. **Note: Plate is designed to fit 4" junction box.**
- Make wiring connections according to local code and National Electrical Code. **Note: If application requires Wet Location Listing, verify wire seal bushing is fully inserted into top of luminaire.**
- Swing luminaire up and tighten mounting screw, securing luminaire flush to ceiling.

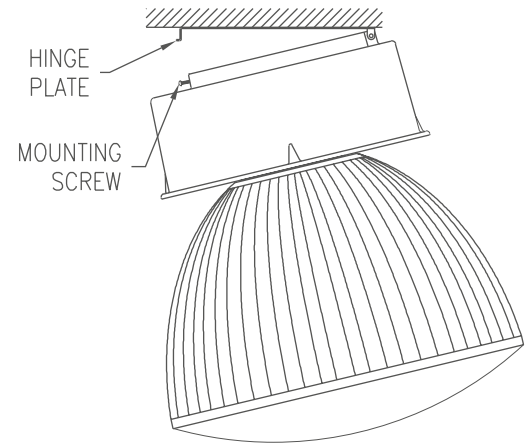


Figure 1



### AUP & AULP SERIES PENDANT MOUNT

- Pendant mount uses 3/4" rigid conduit (supplied by others).
- Thread luminaire onto conduit so luminaire hangs freely. **Note: If application requires Wet Location Listing, use thread sealant on conduit threads before threading luminaire!** See Figure 2.
- Loosen both screws on wire box top, and allow luminaire to slide on conduit hub. See Figure 2. Position luminaire so it is balanced on stem (hanging straight).
- Tighten both screws securing conduit hub to luminaire. **Note: If application requires Wet Location Listing, verify gasket on conduit hub is making positive seal between hub and wiring box.**
- Supporting luminaire with one hand, loosen front access screw on wiring box and swing luminaire down for wire access.
- Make wiring connections per local code and National Electrical Code. **Note: If application requires Wet Location Listing, verify wire seal bushing is fully inserted into top of luminaire.**
- Tighten conduit locking screw located inside wiring box on conduit hub. See Figure 2.
- Swing luminaire up and tighten both access screws, so luminaire is secured to wiring box.

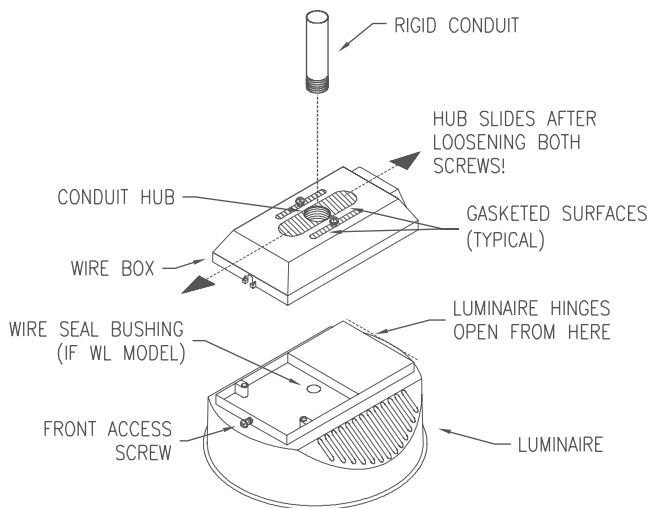


Figure 2



