



Aluminum Poles

Round Tapered



ARRA
Funding Compliant



QUICK LINKS

FEATURES & SPECIFICATIONS

Pole Shaft

- The pole shaft is spun from seamless alloy aluminum.
- On Tenon Mount poles, tenon is 2-3/8" O.D. x 4" tall high-strength pipe.

Hand-Hole

- On listed poles 20' and under, standard non-reinforced hand-hole is 2" x 4".
- For poles with greater EPA rating, reinforced hand hole is available as an option; consult factory. Listed poles 25' and above have a 4" x 6" reinforced hand-hole as standard.
- Hand-hole gasket and cover are provided. Hand-hole is located 12" above pole base on poles with 5" O.D. bottom and 18" above pole base on poles with 6", 8" or 9" O.D. bottom (see Pole Selection Chart). Optional festoon for GFI receptacle (with or without GFI Kit supplied) is available. Minimum height for location of festoon is 18" above standard hand hole.

Base

- Pole base is cast from 356 alloy aluminum. Completed assembly is heat-treated to a T6 temper. Aluminum nut covers are included with anchor base.

Base Covers

- Aluminum nut covers are included with anchor base. Optional one-piece round spun aluminum collars are available for poles with 5", 6" or 8" O.D. bottom (see Pole Selection Chart). Must be ordered separately.

Anchor Bolts

- Set of four anchor bolts conform to ASTM F1554 Grade 55. Each bolt is provided with two hex nuts and two flat washers. Bolts have an "L" bend on one end and are galvanized a minimum of 12" on the threaded end.

Ground Lug

- Ground lug is standard.

Ground Fault Circuit Interrupter

- Ground fault circuit interrupter kit is optional.
- Pole Preparation (festoon) with GFI Kit must be ordered. Specify location in feet above base of pole and side orientation. Minimum height for location of festoon is 18" above standard hand hole.

Finishes

- Baked-on polyester-powder finish provides

one year limited warranty.

Determining The Luminaire/Pole Combination For Your Application:

- Select luminaire from luminaire ordering information
- Select bracket configuration if required
- Determine EPA value from luminaire/bracket EPA chart
- Select pole height
- Select MPH to match wind speed in the application area (See windspeed map).
- Confirm pole EPA equal to or exceeding value from note above
- Confirm total luminaire/bracket weight does not exceed maximum weight shown in chart
- Consult factory for special wind load requirements and banner brackets

Listings

- UL Listed
- BAA/TAA Compliant



Aluminum Poles Round Tapered

Type : _____

 **Have questions?** Call us at (800) 436-7800

ORDERING GUIDE

TYPICAL ORDER EXAMPLE: RTP B3 A156 25 S BRZ					
Pole Series	Material	Height ²	Mounting Configuration	Pole Finish	Options
Bolt-On Mount ¹ - See selection guide for patterns and fixture matches. RTP B5 - 5" Traditional Drilling Pattern RTP B3 - 3" Reduced Drilling Pattern RTP B2 - 2" Reduced Drilling Pattern	A125 - .125 Aluminum A156 - .156 Aluminum A188 - .188 Aluminum A250 - .250 Aluminum	18' - 17'-8" 20' - 19'-8" 25' - 24'-8" 30' - 29'-8"	S - Single/Parallel D180 - Double D90 - Double DN90 - Double T90 - Triple TN120 - Triple Q90 - Quad	BRZ - Bronze BLK - Black WHT - White SVG - Satin Verde Green MSV - Metallic Silver	RHH - Reinforced Hand-hole for poles 20' and under ³ FP - Festoon Outlet Provision less GFI Kit ⁴ FPG - Festoon Outlet Provision with GFI Kit ⁴ LAB - Less Anchor Bolts
Tenon Mount - See selection guide for tenon and fixture/bracket matches. RTPN	<div style="border: 1px solid black; padding: 5px; display: inline-block;"> Consult Pole Selection Chart </div>		N - Tenon Mount		



Need more information?
[Click here for our glossary.](#)

Have additional questions?
 Call us at (800) 436-7800



ACCESSORY ORDERING INFORMATION

Part Number	Description
505647CLR	5RSAC - Round 1-Piece Spun Aluminum Collar for RTP w/5" bottom
505648CLR	6RSAC - Round 1-Piece Spun Aluminum Collar for RTP w/6" bottom
505649CLR	8RSAC - Round 1-Piece Spun Aluminum Collar for RTP w/8" bottom

1 - Standard pole cap provided.

2 - Pole heights will have +/- 2" tolerance.

3 - Reinforced hand-holes are 3" x 5" on poles with 5" or 6" O.D. bottom and located 18" above pole base.

4 - Specify location in feet above base of pole and side orientation. Minimum height is 18" above standard hand hole

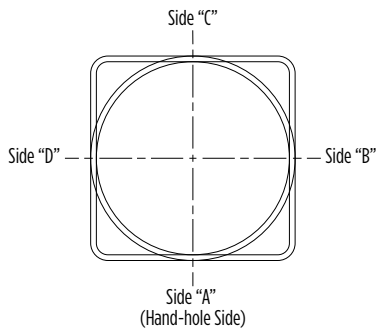
Aluminum Poles Round Tapered

Type : _____

Have questions? Call us at (800) 436-7800

DRILLING LOCATIONS

Sides	A	B	C	D
Hand-hole	X			
Single	X			
D180		X		X
D90	X			X
T90	X	X		X
TN120 ²	X			
Q90	X	X	X	X



- 1 - Two locations will be 45° to the left and right of Side A.
- 2 - Other two locations will be 120° to the left and right of Side A.
- 3 - Two locations will be 45° to the left and right of Side A and two locations will be 135° to the left and right of Side A.

Consult factory for custom variations. Standard SF and DF pole preparations are located 3/4 of the height of the pole from the base, except on 20' poles. Maximum height for SF and DF pole preparations on 20' poles is 13' from the base.

POLE SELECTION CHART

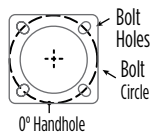
Height	EPA				Pole Top O.D. ¹	Pole Bottom O.D. ¹	Material	Max Wt (lbs) ²	Bolt Circle	Struct. Wt (lbs) ³
	70 MPH	80 MPH	90 MPH	100 MPH						
18' (5.5m)	6.5	4.4	3.1	2.2	3.0 (76mm)	5.0 (127mm)	0.125	100	F	40
18' (5.5m)	15.4	11.3	8.6	6.8	4.0 (102mm)	6.0 (152mm)	0.156	100	X	59
18' (5.5m)	18.9	14.0	10.7	8.5	4.0 (102mm)	6.0 (152mm)	0.188	100	X	70
20' (6.1m)	5.1	3.3	2.1	1.3	3.0 (76mm)	5.0 (127mm)	0.125	100	F	42
20' (6.1m)	12.7	9.1	6.8	5.3	4.0 (102mm)	6.0 (152mm)	0.156	100	X	63
20' (6.1m)	15.8	11.4	8.6	6.8	4.0 (102mm)	6.0 (152mm)	0.188	100	X	74
25' (7.6m)	19.4	14.2	10.8	8.5	4.5 (114mm)	8.0 (203mm)	0.156	150	Y	96
25' (7.6m)	24.2	17.8	13.7	10.8	4.5 (114mm)	8.0 (203mm)	0.188	150	Y	113
30' (9.1m)	23.7	17.4	13.3	10.4	4.5 (114mm)	9.0 (229mm)	0.188	150	Z	149
30' (9.1m)	24.2	17.7	13.6	10.7	4.5 (114mm)	8.0 (203mm)	0.250	150	Y	174

EPA based on AASHTO LTS-3-94. For applications in Canada and areas using code requirements other than AASHTO LTS-3-94, consult factory. Designs are limited to top-mounted and side-mount luminaires. Variations from sizes above are available, consult factory. Satisfactory performance of poles is dependent upon the pole being properly attached to a supporting foundation of adequate design. Refer to EPA information on next page. Maximum luminaire/bracket weight is shown on the above chart.

- 1 - Variations from sizes above are available.
- 2 - Maximum weight of fixtures/brackets to be mounted to pole.
- 3 - Structure weight is nominal value which includes the pole shaft and base plate.

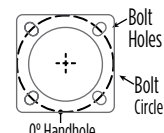
BOLT CIRCLE

5" (127mm) O.D. Pole Bottom
9-5/8" (244mm) square base plate



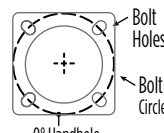
8-5/8" (219mm) Dia. Bolt Circle
+/- 7/8" (22mm)

6" (152mm) O.D. Pole Bottom
10-5/16" (262mm) square base plate



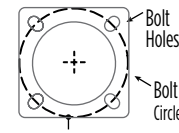
9-1/2" (241mm) Dia. Bolt Circle
+/- 3/4" (19mm)

8" (203mm) O.D. Pole Bottom
12-1/16" (306mm) square base plate



11-5/8" (295mm) Dia. Bolt Circle
+/- 3/8" (9mm)

9" (229mm) O.D. Pole Bottom
12-1/2" (317mm) square base plate



13-1/4" (337mm) Dia. Bolt Circle
+/- 3/4" (19mm)

Bolt Circle Designator	F	X	Y	Z
Bolt Circle	8-5/8" +/- 7/8" (219mm +/- 22mm)	9-1/2" +/- 3/4" (241mm +/- 19mm)	11-5/8" +/- 3/8" (295mm +/- 9mm)	13-1/4" +/- 3/4" (337mm +/- 19mm)
Anchor Bolt Size	3/4" dia. x 17" x 3" hook (19mm x 432mm x 76 mm)	3/4" dia. x 17" x 3" hook (19mm x 432mm x 76 mm)	1" dia. x 36" x 4" hook (25mm x 914mm x 102mm)	1" dia. x 36" x 4" hook (25mm x 914mm x 102mm)
Anchor Bolt Projection	3-1/4" (89mm)	3-1/2" (89mm)	4-1/8" (105mm)	4-1/8" (105mm)
Base Plate Dimensions	9-5/8" sq. x 5/8" thk. (244mm x 16mm)	10-5/16" sq. x 5/8" thk. (262mm x 16mm)	12-1/16" sq. x 3/4" thk. (306mm x 19mm)	12-1/2" sq. x 1-1/4" thk. (317mm x 32mm)

Note: Base plate illustrations may change without notice. Do not use for setting anchor bolts. Consult factory for the appropriate anchor bolt template.

EPA INFORMATION

All poles are guaranteed to meet the EPA requirements listed. Pole manufacturer is not responsible if a pole order has a lower EPA rating than the indicated wind-loading zone where the pole will be located.

CAUTION: This guarantee does not apply if the pole/bracket/fixture combination is used to support any other items such as flags, pennants, or signs, which would add stress to the pole. Pole manufacturer cannot accept responsibility for harm or damage caused in these situations.

NOTE:

Pole calculations include a 1.3 gust factor over steady wind velocity. Example: poles designed to withstand 80 MPH steady wind will withstand gusts to 104 MPH. EPAs are for locations 100 miles away from hurricane ocean lines. Consult LSI for other areas. Note: Hurricane ocean lines are the Atlantic and Gulf of Mexico coastal areas. For applications in Canada and areas using code requirements other than AASHTO LTS-3-94, consult factory.

Aluminum Poles Round Tapered

Type: _____

 **Have questions?** Call us at (800) 436-7800

PRODUCT DIMENSIONS

