

V-SERIES SELF-CONTAINED REFRIGERATED CASE



V-SERIES SELF-CONTAINED REFRIGERATED CASE

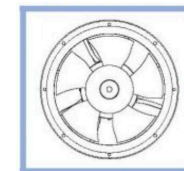
DESCRIPTION

Our V-Series refrigerated display cases bring added value to any program and are available in metal finishes.

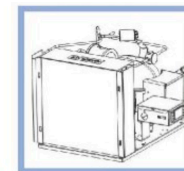
BEST USED FOR

- Spot Merchandising
- Promotional displays
- Convenience stores
- Prepackaged meals

FEATURES



HIGH EFFICIENCY MOTORS



HIGH EFFICIENCY CONDENSING UNIT



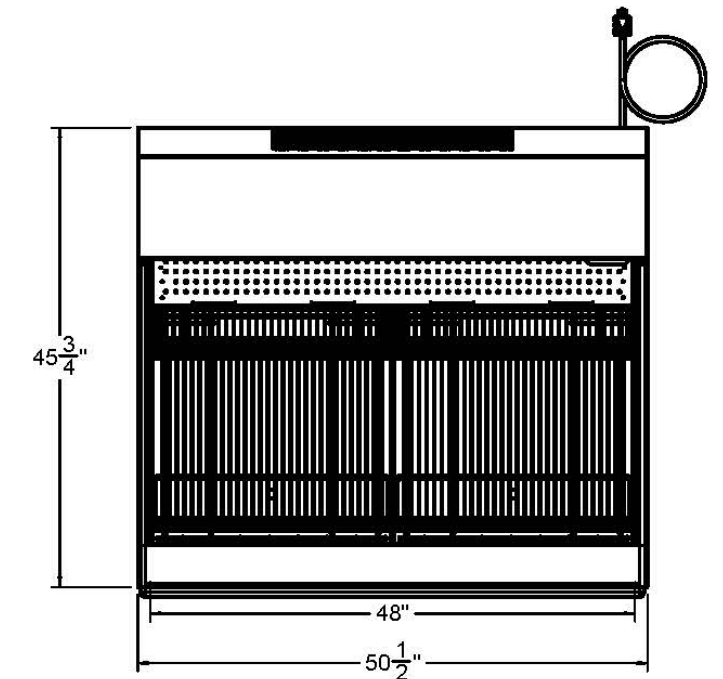
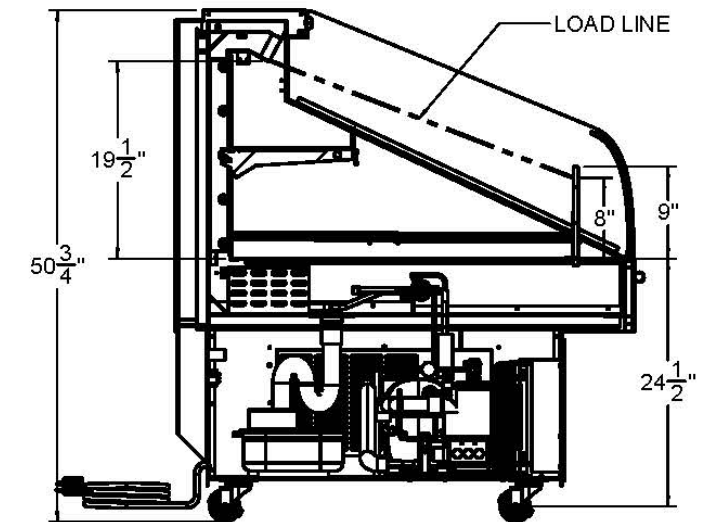
MAINTAINS CRITICAL TEMPERATURE

STANDARD FEATURES

- High Efficiency Motors
- High Efficiency Condensing Unit
- Removable Service Panels
- Electronic Control
- Designed to Maintain Product Temperatures at <41° F
- Electric Condensate Pan

OPTIONAL ACCESSORIES

- Corner Guards
- Corner Brackets
- Black Bumper
- Various Product Risers
- Magnetic Filter Screen
- 12" Adjustable Metal Shelf



| MODEL | DIMENSIONS* | | POWER | | | | | | |
|---------|-------------|---------|-------|----|----|------|-----|-----|--------------|
| | A | B | V | Ph | Hz | MCA | MOP | HP | BTU/hr @ 75F |
| RBS046H | 50 3/4" | 45 3/4" | 120 | 1 | 60 | 18.2 | 25 | 1/2 | 4750 |



140 Park Street • Milo, Maine 04463 • 800.332.5507 TEL • 207.943.5632 FAX • JSISTOREFIXTURES.COM

Milo, Maine • Bangor, Maine • Payson, Utah • Collingwood, Ontario

Please refer to our "Styles, Groupings, Stains and Accessories" brochure to see our wide range of materials, finishes, merchandising foam, and accessories.

*Dimensions are approximate and will vary based on wrap styles