

# V-SERIES REMOTE REFRIGERATED CASE

CRITICAL TEMP



## V-SERIES REMOTE REFRIGERATED CASE

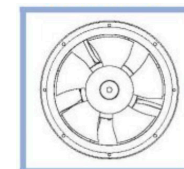
### DESCRIPTION

Our V-Series refrigerated display cases bring added value to any program and are available in metal finishes.

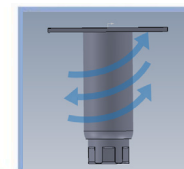
### BEST USED FOR

- Spot Merchandising
- Promotional displays
- Convenience stores
- Prepackaged meals

### FEATURES



HIGH-EFFICIENCY MOTORS



ADJUSTABLE LEVELERS



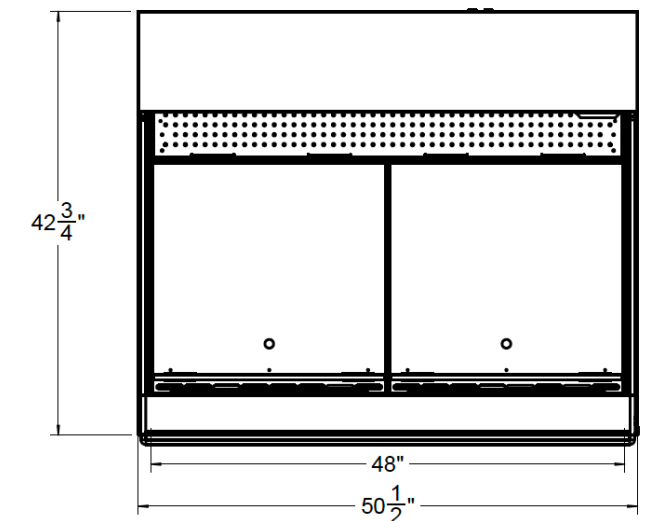
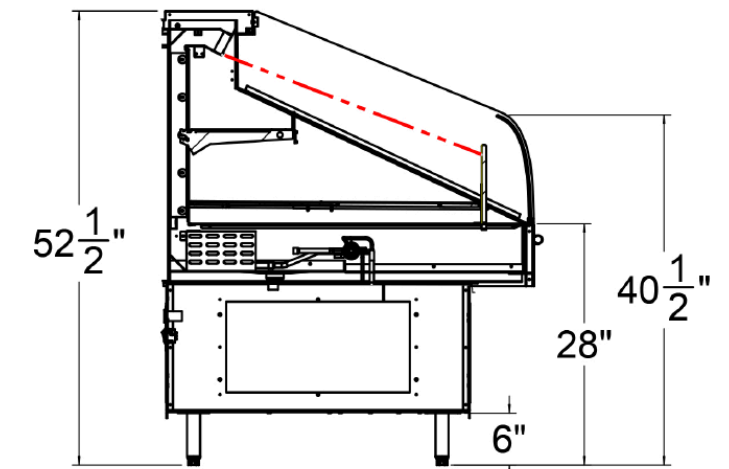
MAINTAINS CRITICAL TEMPERATURE

### STANDARD FEATURES

- High Efficiency Motors
- High Efficiency Condensing Unit
- Removable Service Panels
- Electronic Control
- Designed to Maintain Product Temperatures at <41° F
- Electric Condensate Pan

### OPTIONAL ACCESSORIES

- Corner Guards
- Corner Brackets
- Black Bumper
- Various Product Risers
- Magnetic Filter Screen
- 12" Adjustable Metal Shelf



MODEL	DIMENSIONS*		POWER						
	A	B	V	Ph	Hz	MCA	MOP	HP	BTU/hr @ 75F
RBS146H	52 1/2"	45 3/4"							



140 Park Street • Milo, Maine 04463 • 800.332.5507 TEL • 207.943.5632 FAX • JSISTOREFIXTURES.COM

Milo, Maine • Bangor, Maine • Payson, Utah • Collingwood, Ontario

Please refer to our "Styles, Groupings, Stains and Accessories" brochure to see our wide range of materials, finishes, merchandising foam, and accessories.

\*Dimensions are approximate and will vary based on wrap styles