

HIGH PROFILE REFRIGERATED SLANT CASES



CRITICAL
TEMP



HIGH PROFILE REFRIGERATED SLANT CASES (R290)

DESCRIPTION

JSI's R290 Refrigerated Slant Cases keep products fresh and visually enticing with precise temperature control and a sleek, energy-efficient design. Available in our full range of styles and finish options.

BEST USED FOR

- Spot Merchandising
- Front Entry
- Mix & Match with Refrigerated and Ambient Fixtures
- Critical Temp Product

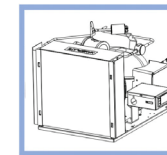
FEATURES



LOW GWP NATURAL REFRIGERANT



ELECTRONIC CONTROLS



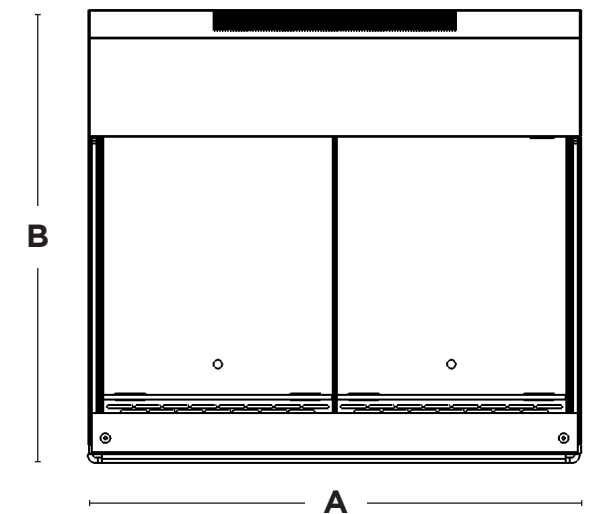
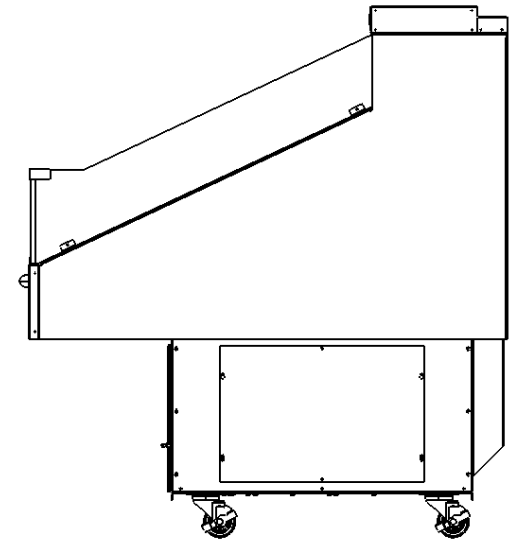
HIGH EFFICIENCY CONDENSING UNIT

STANDARD FEATURES

- High Efficiency Motors
- Digital Solar Thermometer
- Removable Service Panels
- Electric Condensate Pan
- Designed to Maintain Product Temperatures at <41°F
- Cleanable Magnetic Filters

OPTIONAL ACCESSORIES

- Various Shelf Sizes
- Shelf Product Stop
- Price Tag Molding



MODEL	DIMENSIONS*		POWER						
	A	B	V	Ph	Hz	MCA	MOP	HP	BTU/hr @ 75F
RBS032H	27"	36"	120	1	60	11.5	15	1/3	3490
RBS033H	39"	36"	120	1	60	13.6	15	1/2	5730
RBS034H	50"	36"	120	1	60	13.7	15	1/2	5730
RBS042H	27"	48"	120	1	60	12.6	15	1/3	3490
RBS043H	39"	48"	120	1	60	13.6	15	1/2	5730
RBS044H	50"	48"	120	1	60	13.7	15	1/2	5730



140 Park Street • Milo, Maine 04463 • 800.332.5507 TEL • 207.943.5632 FAX • JSISTOREFIXTURES.COM

Milo, Maine • Bangor, Maine • Payson, Utah • Collingwood, Ontario



2017
DOE
COMPLIANT

Please refer to our "Styles, Groupings, Stains and Accessories" brochure to see our wide range of materials, finishes, merchandising foam, and accessories.

*Dimensions are approximate and will vary based on wrap styles