

72" HIGH REFRIGERATED MULTI DECK DISPLAY

CRITICAL
TEMP



140 Park Street • Milo, Maine 04463 • 800.332.5507 TEL • 207.943.5632 FAX • JSISTOREFIXTURES.COM

Milo, Maine • Bangor, Maine • Payson, Utah • Collingwood, Ontario

JSISTOREFIXTURES.COM

72" HIGH REFRIGERATED MULTI DECK DISPLAY

DESCRIPTION

Our multi deck displays are the ultimate grab-and-go solution for food and beverages. Keep products fresh and visually enticing with precise temperature control and a sleek, energy-efficient design.

STANDARD FEATURES

- High Efficiency Motors
- Digital Solar Thermometer
- Removable Service Panels
- Designed to Maintain Product Temperatures at <41°F



BEST USED FOR

- Spot Merchandising
- End Caps
- Island Groupings
- Mix & Match with Refrigerated and Ambient Fixtures

OPTIONAL ACCESSORIES

- LED Lighting
- Various Shelf Sizes
- Shelf Product Stop
- Price Tag Molding

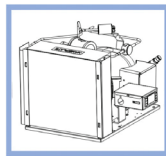
FEATURES



LOW GWP NATURAL REFRIGERANT

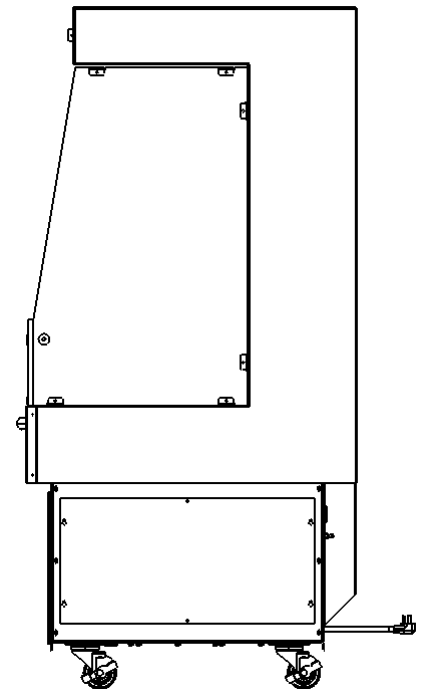
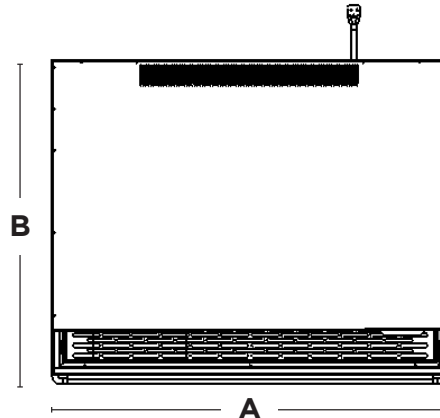


ELECTRONIC CONTROLS



HIGH EFFICIENCY CONDENSING UNIT

MODEL	DIMENSIONS*	
	A	B
RMD022-72	27"	32"
RMD023-72	39"	32"
RMD024-72	51"	32"
RMD026-72	75"	32"
RMD032-72	27"	38"
RMD033-72	39"	38"
RMD034-72	51"	38"
RMD036-72	75"	38"



At JSI, **we make custom standard.** Our units are available in metal or wood exteriors, with a wide variety of finishes to suit any space. Get in touch with us to explore our extensive selection of materials, finishes, merchandising foam, and accessories—we're here to bring your vision to life!

AVAILABLE IN 2, 3, 4 & 6' LENGTHS

*Dimensions are approximate and will vary based on wrap styles