

62" HIGH REFRIGERATED MULTI DECK DISPLAY

CRITICAL
TEMP



62" HIGH REFRIGERATED MULTI DECK DISPLAY

DESCRIPTION

Our multi deck displays are the ultimate grab-and-go solution for food and beverages. Keep products fresh and visually enticing with precise temperature control and a sleek, energy-efficient design.

BEST USED FOR

- Spot Merchandising
- End Caps
- Island Groupings
- Mix & Match with Refrigerated and Ambient Fixtures

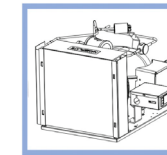
FEATURES



LOW GWP NATURAL REFRIGERANT



ELECTRONIC CONTROLS



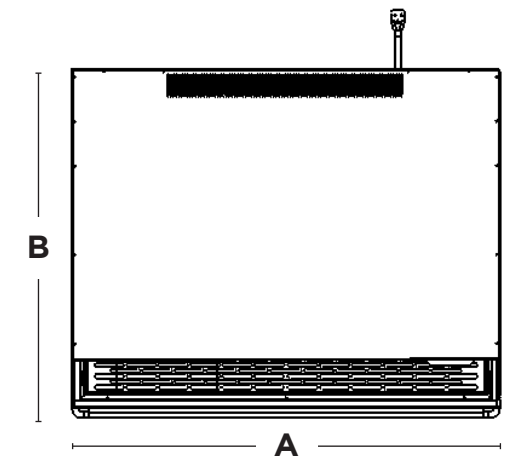
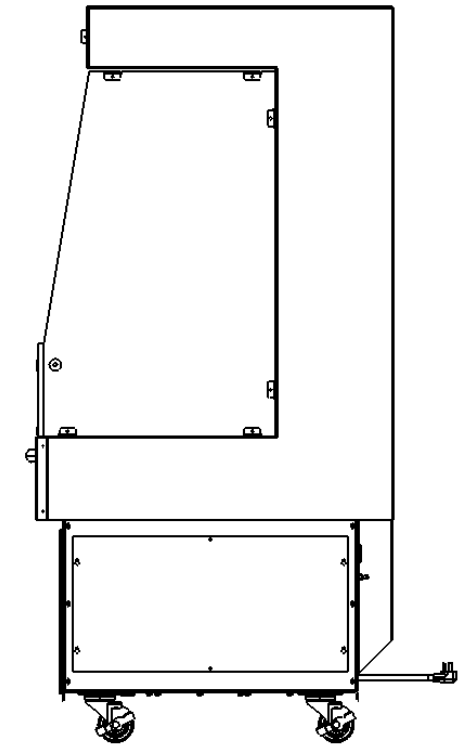
HIGH EFFICIENCY CONDENSING UNIT

STANDARD FEATURES

- High Efficiency Motors
- Digital Solar Thermometer
- Removable Service Panels
- Designed to Maintain Product Temperatures at <41°F

OPTIONAL ACCESSORIES

- LED Lighting
- Cleanable Magnetic Filters
- Various Shelf Sizes
- Shelf Product Stop
- Price Tag Molding



MODEL	DIMENSIONS*		POWER						
	A	B	V	Ph	Hz	MCA	MOP	HP	BTU/hr @ 75F
RBD022-62	27"	32"	120	1	60	18.9	25	½	5320
RBD023-62	39"	32"	120	1	60	25.6	35	¾	6445
RMD024-62	51"	32"	120	1	60	25.7	35	¾	6445
RBD032-62	27"	38"	120	1	60	18.9	25	½	5320
RBD033-62	39"	38"	120	1	60	18.8	20	½	5730
RMD034-62	51"	38"	120	1	60	25.7	35	¾	6445

 JSI | A Division of LSI Industries

140 Park Street • Milo, Maine 04463 • 800.332.5507 TEL • 207.943.5632 FAX • JSISTOREFIXTURES.COM

Milo, Maine • Bangor, Maine • Payson, Utah • Collingwood, Ontario

Please refer to our "Styles, Groupings, Stains and Accessories" brochure to see our wide range of materials, finishes, merchandising foam, and accessories.
*Dimensions are approximate and will vary based on wrap styles



2017
DOE
COMPLIANT