

62" HIGH VISIBILITY REFRIGERATED SLANT CASE

CRITICAL
TEMP



140 Park Street • Milo, Maine 04463 • 800.332.5507 **TEL** • 207.943.5632 **FAX** • JSISTOREFIXTURES.COM

Milo, Maine • Bangor, Maine • Payson, Utah • Collingwood, Ontario

JSISTOREFIXTURES.COM

62" HIGH VISIBILITY REFRIGERATED SLANT CASE

DESCRIPTION

JSI's R290 Refrigerated Slant Cases keep products fresh and visually enticing with precise temperature control and a sleek, energy-efficient design. Available in our full range of styles and finish options.

BEST USED FOR

- Spot Merchandising
- Front Entry
- Mix & Match with Refrigerated and Ambient Fixtures
- Critical Temp Product

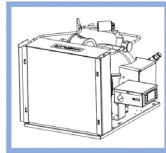
FEATURES



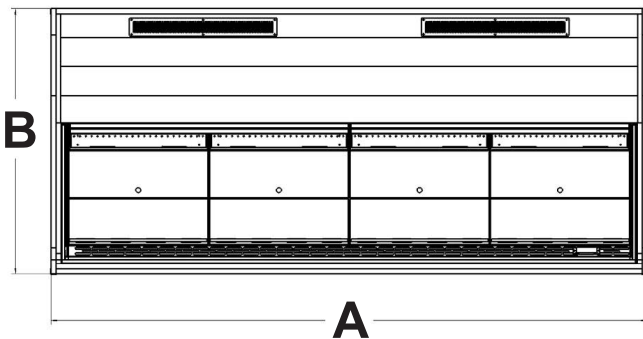
LOW GWP NATURAL REFRIGERANT



ELECTRONIC CONTROLS



HIGH EFFICIENCY CONDENSING UNIT



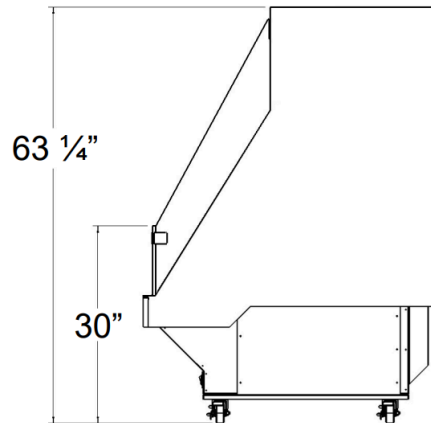
STANDARD FEATURES

- High Efficiency Motors
- Digital Solar Thermometer
- Removable Service Panels
- Electric Condensate Pan
- Designed to Maintain Product Temperatures at <41°F
- Cleanable Magnetic Filters



OPTIONAL ACCESSORIES

- Corner Guards and Brackets
- Adjustable Wire Deck
- Foam Pad
- Price Tag Molding
- Merchandising Steps
- Various Shelf Styles and Sizes
- Magnetic Filter Screen
- Available in a variety of materials and finishes



MODEL	DIMENSIONS*	
	A	B
RBS032HV-62	27"	45"
RBS033HV-62	39"	45"
RBS034HV-62	51"	45"
RBS036HV-62	75"	45"
RBS038HV-62	99"	45"
RBS0310HV-62	123"	45"
RBS0312HV-62	147"	45"

At JSI, **we make custom standard**. Our units are available in metal or wood exteriors, with a wide variety of finishes to suit any space. Get in touch with us to explore our extensive selection of materials, finishes, merchandising foam, and accessories—we're here to bring your vision to life!

AVAILABLE IN 2, 3, 4, 6, 8, 10 & 12' LENGTHS

***Dimensions are approximate and will vary based on wrap styles**