

# 56" HIGH VISIBILITY REFRIGERATED SLANT CASE

AVAILABLE IN 2' - 4' LENGTHS

CRITICAL TEMP



# 56" HIGH VISIBILITY REFRIGERATED SLANT CASE

## DESCRIPTION

JSI's R290 Refrigerated Slant Cases keep products fresh and visually enticing with precise temperature control and a sleek, energy-efficient design. Available in our full range of styles and finish options.

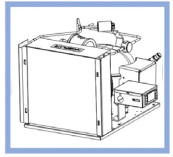
## FEATURES



LOW GWP NATURAL REFRIGERANT



ELECTRONIC CONTROLS



HIGH EFFICIENCY CONDENSING UNIT

## BEST USED FOR

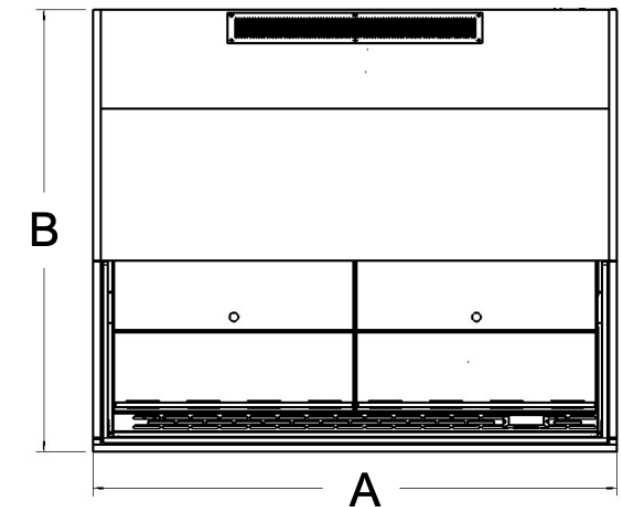
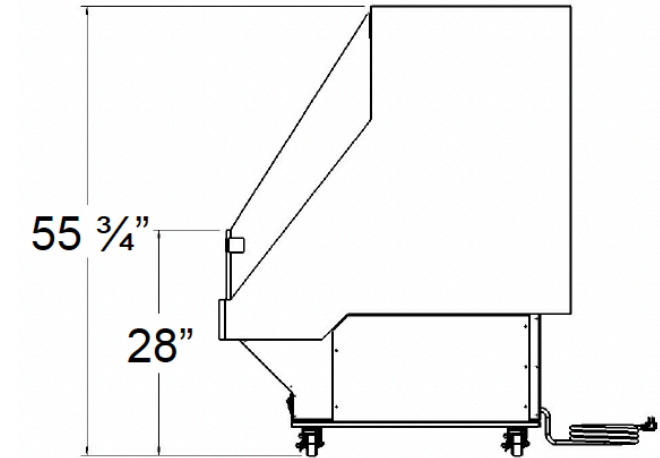
- Spot Merchandising
- Front Entry
- Mix & Match with Refrigerated and Ambient Fixtures
- Critical Temp Product

## STANDARD FEATURES

- High Efficiency Motors
- Digital Solar Thermometer
- Removable Service Panels
- Electric Condensate Pan
- Designed to Maintain Product Temperatures at <41°F
- Cleanable Magnetic Filters

## OPTIONAL ACCESSORIES

- Corner Guards and Brackets
- Adjustable Wire Deck
- Foam Pad
- Price Tag Molding
- Merchandising Steps
- Various Shelf Styles and Sizes
- Magnetic Filter Screen
- Available in a variety of materials and finishes



140 Park Street • Milo, Maine 04463 • 800.332.5507 TEL • 207.943.5632 FAX • JSISTOREFIXTURES.COM

Milo, Maine • Bangor, Maine • Payson, Utah • Collingwood, Ontario

MODEL	DIMENSIONS*		POWER						
	A	B	V	Ph	Hz	MCA	MOP	HP	BTU/hr @ 75F
RBS036HV-56	75"	45"	208	1	60	20.2	25	1	10100
RBS038HV-56	99"	45"	208	1	60	20.3	25	1	10100



Please refer to our "Styles, Groupings, Stains and Accessories" brochure to see our wide range of materials, finishes, merchandising foam, and accessories.

\*Dimensions are approximate and will vary based on wrap styles