

# 41" HIGH VISIBILITY REFRIGERATED SLANT CASE

AVAILABLE IN 2' - 4' LENGTHS

CRITICAL  
TEMP



## 41" HIGH VISIBILITY REFRIGERATED SLANT CASE

### DESCRIPTION

JSI's R290 Refrigerated Slant Cases keep products fresh and visually enticing with precise temperature control and a sleek, energy-efficient design. Available in our full range of styles and finish options.

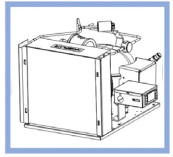
### FEATURES



LOW GWP NATURAL REFRIGERANT



ELECTRONIC CONTROLS



HIGH EFFICIENCY CONDENSING UNIT

### BEST USED FOR

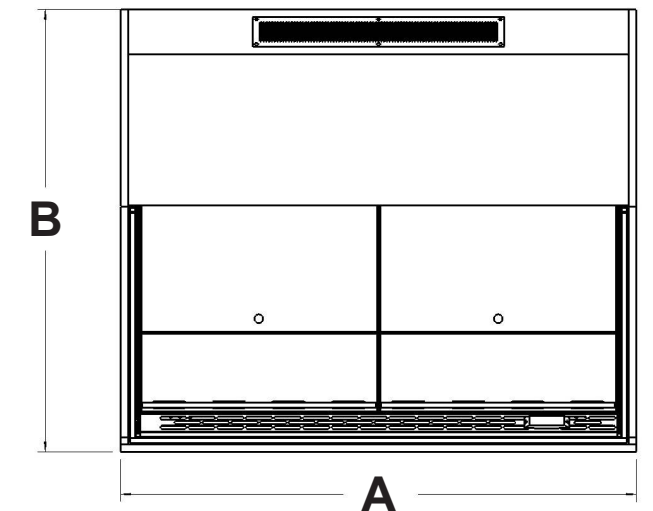
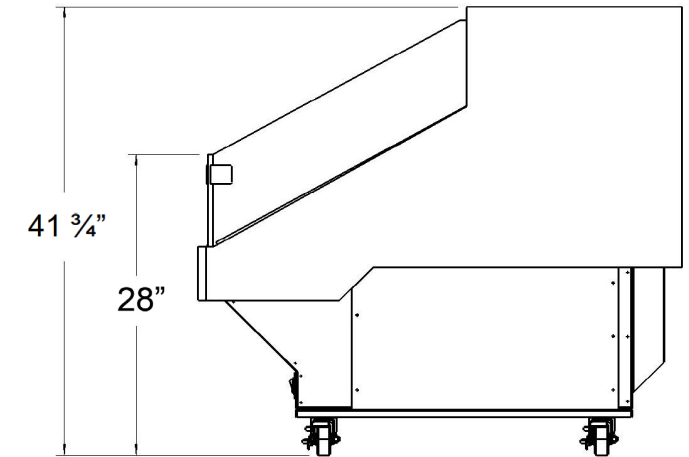
- Spot Merchandising
- Front Entry
- Mix & Match with Refrigerated and Ambient Fixtures
- Critical Temp Product

### STANDARD FEATURES

- High Efficiency Motors
- Digital Solar Thermometer
- Removable Service Panels
- Electric Condensate Pan
- Designed to Maintain Product Temperatures at <41°F
- Cleanable Magnetic Filters

### OPTIONAL ACCESSORIES

- Corner Guards and Brackets
- Adjustable Wire Deck
- Foam Pad
- Price Tag Molding
- Merchandising Steps
- Various Shelf Styles and Sizes
- Magnetic Filter Screen
- Available in a variety of materials and finishes



140 Park Street • Milo, Maine 04463 • 800.332.5507 TEL • 207.943.5632 FAX • JSISTOREFIXTURES.COM

Milo, Maine • Bangor, Maine • Payson, Utah • Collingwood, Ontario

MODEL	DIMENSIONS*		POWER						
	A	B	V	Ph	Hz	MCA	MOP	HP	BTU/hr @ 75F
RBS032H	27"	36"	120	1	60	11.5	15	1/3	3360
RBS033H	39"	36"	120	1	60	12.6	15	1/3	3360
RBS034H	51"	36"	120	1	60	13.7	15	1/2	5470

Please refer to our "Styles, Groupings, Stains and Accessories" brochure to see our wide range of materials, finishes, merchandising foam, and accessories.

\*Dimensions are approximate and will vary based on wrap styles



2017  
DOE  
COMPLIANT