

# LOW PROFILE REFRIGERATED SLANT CASES

AVAILABLE IN 6' - 12' LENGTHS



## LOW PROFILE BACK REFRIGERATED SLANT CASES

### DESCRIPTION

JSI's critical temp Refrigerated Slant Cases are available in our full range of styles and finish options to perfectly match your entire department.

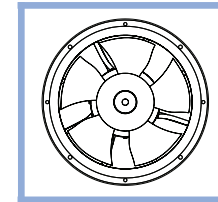
### BEST USED FOR:

- Front Entry
- Island Groupings
- Mix & Match with Refrigerated and Ambient Fixtures
- Berries

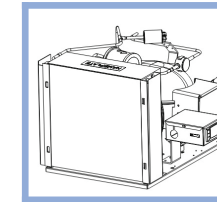
### FEATURES



Electronic Controls



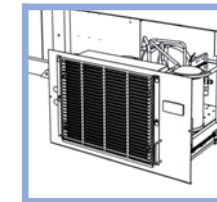
High-Efficiency Fan Motors



High-Efficiency Condensing Unit

### STANDARD FEATURES

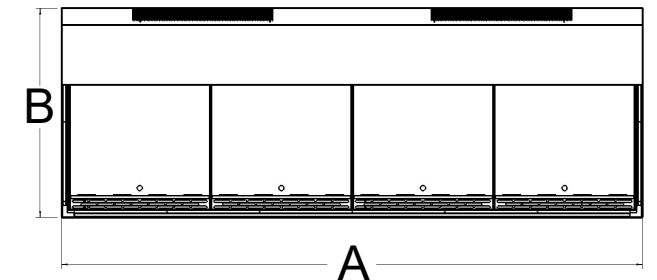
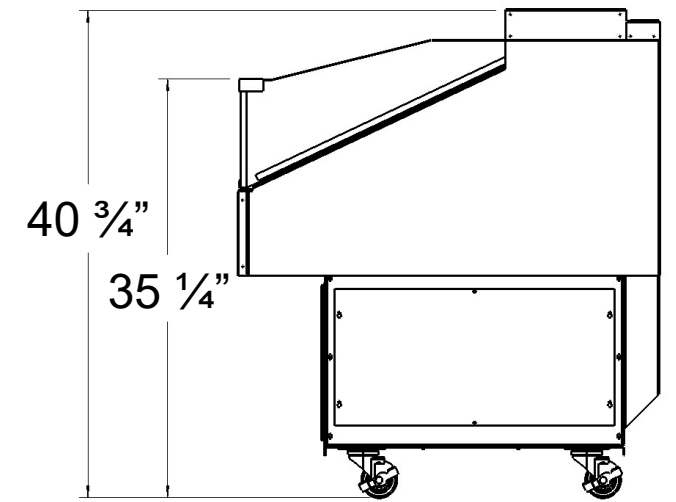
- High Efficiency Motors
- Digital Solar Thermometer
- Removable Service Panels
- Electronic Control
- Designed to Maintain Product Temperatures at <41°F
- Electric Condensate Pan



Slide-Out Service Drawer

### OPTIONAL ACCESSORIES

- Merchandising Steps
- Various Shelf Styles and Sizes
- Corner Guards and Brackets
- Adjustable Wire Deck
- Foam Pad
- Price Tag Molding
- Magnetic Filter Screen
- Available in metal or wood wrap and in a variety of finishes



MODEL	DIMENSIONS*		POWER						
	A	B	V	Ph	Hz	MCA	MOP	HP	BTU/hr @ 75F
RBS036L	72"	36"	208	1	60	15.3	20	3/4	6390
RBS038L	96"	36"	208	1	60	18.5	25	1	9180
RBS0310L	120"	36"	208	1	60	21.3	25	1 1/4	11900
RBS0312L	144"	36"	208	1	60	21.4	25	1 1/4	11900
RBS046L	72"	48"	208	1	60	15.7	20	3/4	6090
RBS048L	96"	48"	208	1	60	18.5	25	1	8540



2017  
**DOE**  
COMPLIANT



140 Park Street • Milo, Maine 04463 • 800.332.5507 TEL • 207.943.5632 FAX • JSISTOREFIXTURES.COM  
Milo, Maine • Bangor, Maine • Payson, Utah • Collingwood, Ontario

Please refer to our "Styles, Groupings, Stains and Accessories" brochure to see our wide range of materials, finishes, merchandising foam, and accessories.  
\*Dimensions are approximate and will vary based on wrap styles