

# HIGH PROFILE REFRIGERATED SLANT CASES

AVAILABLE IN 2' - 4' LENGTHS



Critical  
TEMP

## HIGH PROFILE REFRIGERATED SLANT CASES

### DESCRIPTION

JSI's critical temp Refrigerated Slant Cases are available in our full range of styles and finish options to perfectly match your entire department.

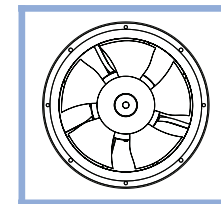
### BEST USED FOR:

- Spot Merchandising
- Front Entry
- Mix & Match with Refrigerated and Ambient Fixtures
- Critical Temp Product

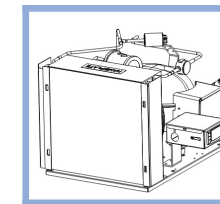
### FEATURES



Electronic Controls



High-Efficiency Fan Motors



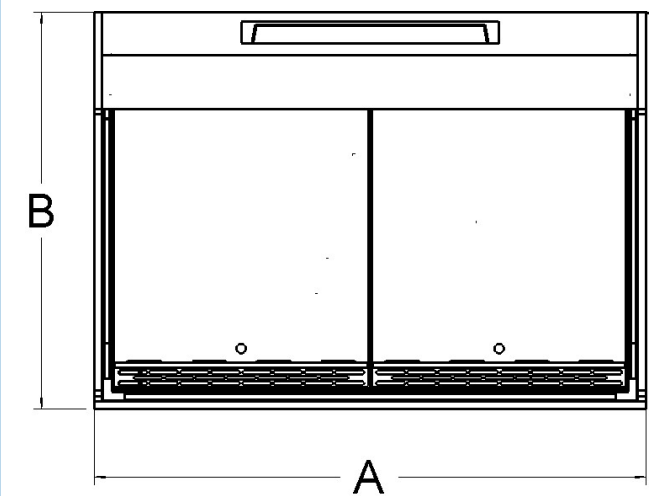
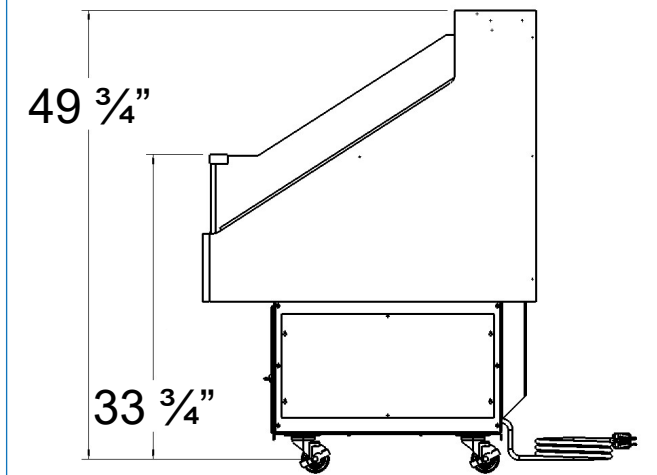
High-Efficiency Condensing Unit

### STANDARD FEATURES

- High Efficiency Motors
- Digital Solar Thermometer
- Removable Service Panels
- Electronic Control
- Designed to Maintain Product Temperatures at <41°F
- Electric Condensate Pan

### OPTIONAL ACCESSORIES

- Merchandising Steps
- Various Shelf Styles and Sizes
- Corner Guards and Brackets
- Adjustable Wire Deck
- Foam Pad
- Price Tag Molding
- Magnetic Filter Screen
- Available in metal or wood wrap and in a variety of finishes



MODEL	DIMENSIONS*		POWER						
	A	B	V	Ph	Hz	MCA	MOP	HP	BTU/hr @ 75F
RBS032H	24"	36"	120	1	60	12.6	20	1/3	2920
RBS033H	36"	36"	120	1	60	13.7	20	1/3	2920
RBS034H	48"	36"	120	1	60	18.2	25	1/2	4750
RBS042H	24"	48"	120	1	60	13.7	20	1/3	2920
RBS044H	48"	48"	120	1	60	18.2	25	1/2	4750



2017  
DOE  
COMPLIANT

