

# SPICE RACK



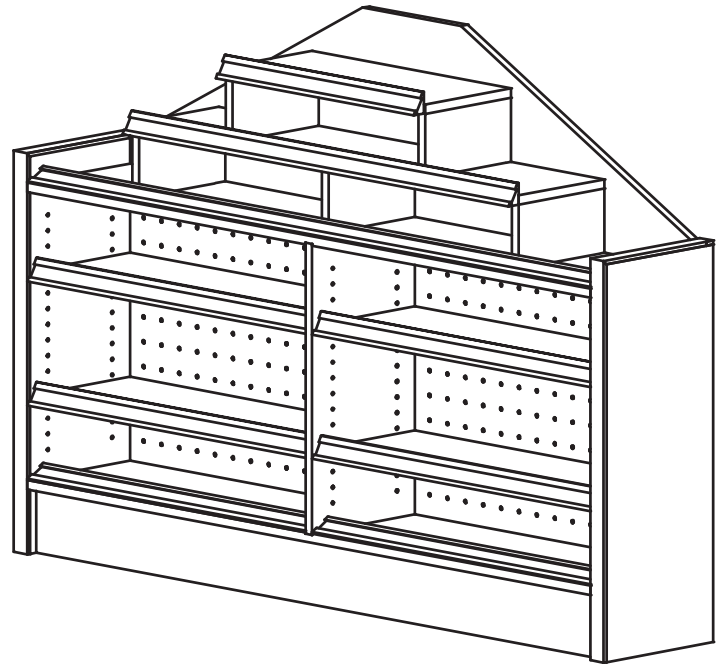
140 Park Street • Milo, Maine 04463 • 800.332.5507 TEL • 207.943.5632 FAX • [JSISTOREFIXTURES.COM](http://JSISTOREFIXTURES.COM)  
Milo, Maine • Bangor, Maine • Payson, Utah • Greenville, South Carolina • Collingwood, Ontario

# SPICE RACK

## DESCRIPTION

Our Spice Rack is the perfect end cap for back-to-back Euro Tables. Can be used for spices or a variety of other packaged merchandise.

## SHOWN WITH STANDARD WOOD PRICE TAG MOLDING LIP

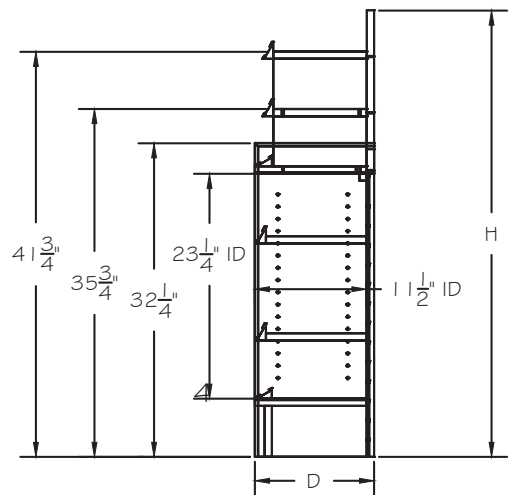
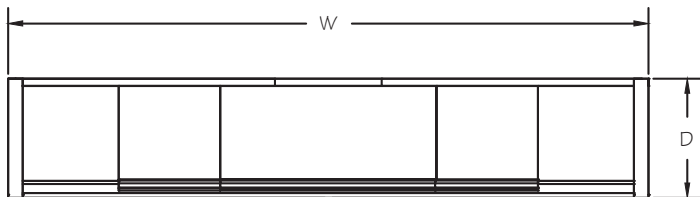


## FEATURES

- 3 Levels of Merchandising Area for Produce
- 4 Adjustable Shelves
- Pegboard Back Panel
- 2-Tier Wooden Riser on Top
- Variety of Colors / Materials

## APPLICATIONS

- Use as a stand-alone or end cap for loose and packaged produce or in an island setting
- Incorporate with JSI refrigerated and non-refrigerated products
- Available with lower front merchandising shelf area



STYLE	ITEM #	SIZES W x D x H
SPICE RACK	C-SR	66" X 12 <sup>3</sup> / <sub>4</sub> " X 46" 87" X 12 <sup>3</sup> / <sub>4</sub> " X 51"

## MATERIALS, FINISHES, FOAM, AND ACCESSORIES

Please refer to our "Styles, Groupings, Stains, and Accessories" brochure to see our wide range of materials, finishes, merchandising foam, and accessories.