

POTATO / ONION BIN



SEBAGO STYLE



BAXTER STYLE



BRUNSWICK STYLE



POTATO / ONION BIN

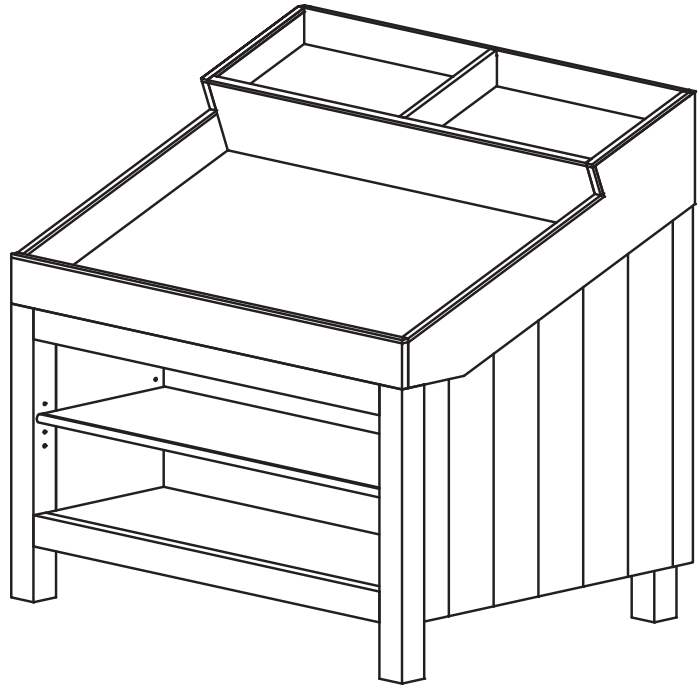
DESCRIPTION

Our Potato/Onion Bin is the ideal way to present bagged and loose root vegetables. Upper level boxes are ideal for category separation.

ITEM SHOWN IN BRUNSWICK STYLE WITH OPTIONAL LOWER FRONT MERCHANDISING SHELVES

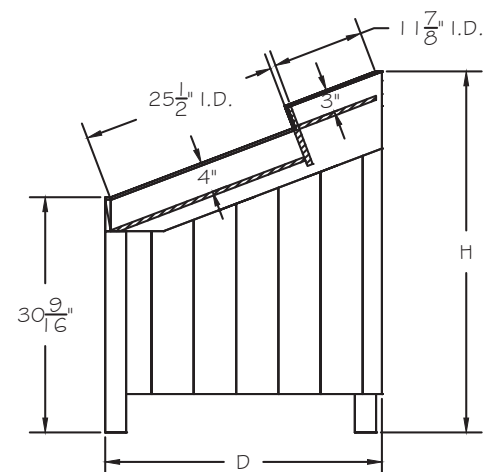
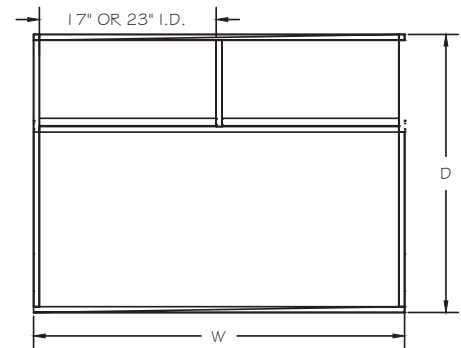
FEATURES

- 2 Levels of Merchandising
- ½" Antimicrobial Foam
- Large Merchandising Area for Produce
- Variety of Colors / Styles / Options



APPLICATIONS

- Use as a stand-alone or end cap for loose and packaged produce or in an island setting
- Incorporate with JSI refrigerated and non-refrigerated products
- Available with lower front merchandising shelf area



STYLE	ITEM #	LOWER SHELVING	SIZES W x D x H
SEBAGO	CSC-POBD	-S	36" X 36" X 47" 48" X 36" X 47"
BAXTER	CBAX-POBD	-S	
BRUNSWICK	CBC-POBD	-S	

AVAILABLE FOAM FOR SLANT BINS / EURO TABLES	
EXCLUSIVE JSI, CLOSED CELL, ANTIMICROBIAL FOAM	
STYLE	ITEM #
Banana Bed	FBB
Stone Fruit Riser	FSF
Perfect Riser	FPR
Step Riser	FSR
Pocket Pad	FPP
½" Pad	F.5P
1" Pad	F1P

MATERIALS, FINISHES, FOAM, AND ACCESSORIES

Please refer to our "Styles, Groupings, Stains, and Accessories" brochure to see our wide range of materials, finishes, merchandising foam, and accessories.