

NESTING TABLES



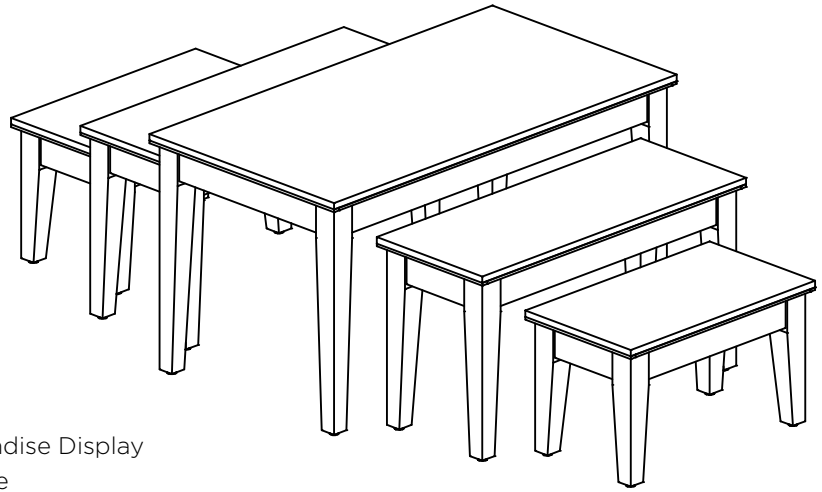
140 Park Street • Milo, Maine 04463 • 800.332.5507 TEL • 207.943.5632 FAX • JSISTOREFIXTURES.COM
Milo, Maine • Bangor, Maine • Payson, Utah • Greenville, South Carolina • Collingwood, Ontario

NESTING TABLES

DESCRIPTION

Nesting Tables are a great way to display bakery items that stack. Pile high! Nesting Tables will always look full and fresh by tucking in lower tables when less product is on display.

SHOWN AS A SET OF 5 NESTING TABLES WITH WOOD-STAINED TOPS AND FRAMES

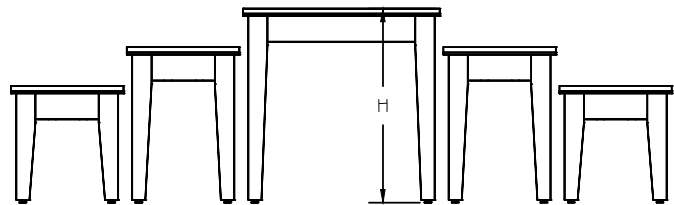
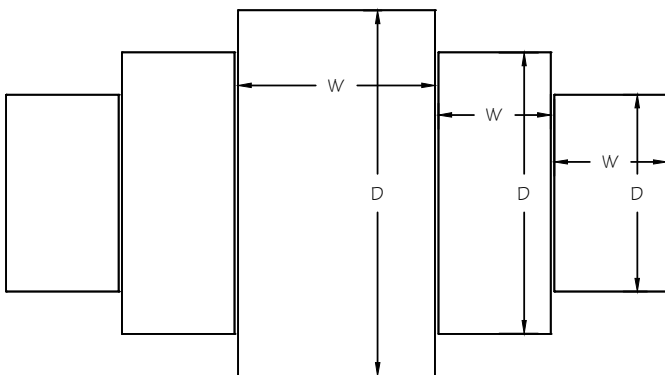


FEATURES

- Set of 5 Tables
- 3 Sizes/Heights of Tables to Vary Your Merchandise Display
- Tables Can Be Nested or Used as a Stand-Alone
- Variety of Materials/Finishes/Options

APPLICATIONS

- Use as a Stand-Alone Spot Merchandiser
- Ideal for Packaged Bakery Goods



STYLE	ITEM #	SIZES W x D x H
NESTING TABLES	C-NT	SMALL TABLE - 28" X 16" X 16½" MIDDLE TABLE - 40" X 16" X 22" LARGE TABLE - 52" X 28" X 27½"

MATERIALS, FINISHES, FOAM, AND ACCESSORIES

Please refer to our "Styles, Groupings, Stains, and Accessories" brochure to see our wide range of materials, finishes, and accessories.