

ICE BIN



SEBAGO STYLE



BAXTER STYLE



BRUNSWICK STYLE

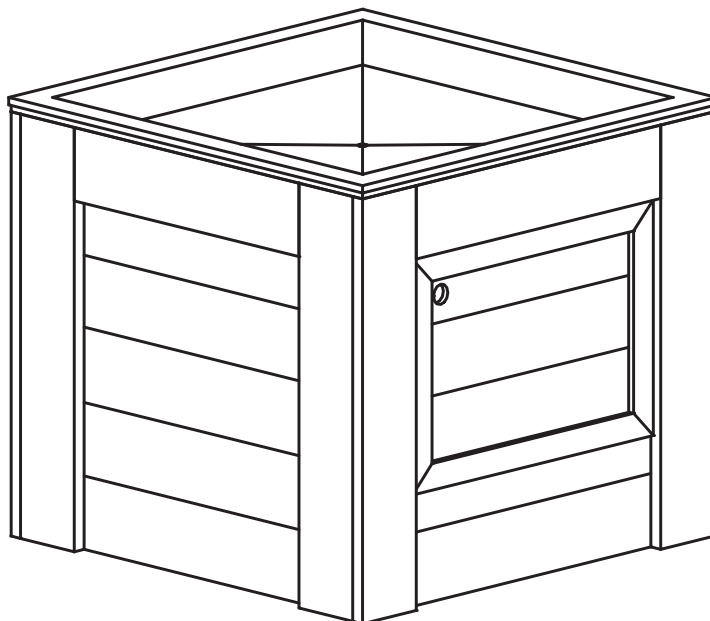


ICE BIN

DESCRIPTION

Our Ice Bins are the perfect addition for an Orchard Bin island group or as a stand-alone fixture for a variety of chilled products.

ITEM SHOWN IN BRUNSWICK STYLE WITH ROUGH MAPLE

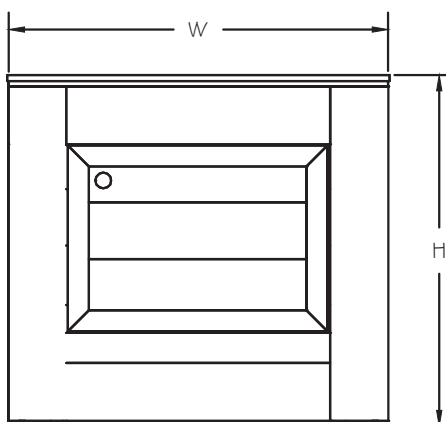
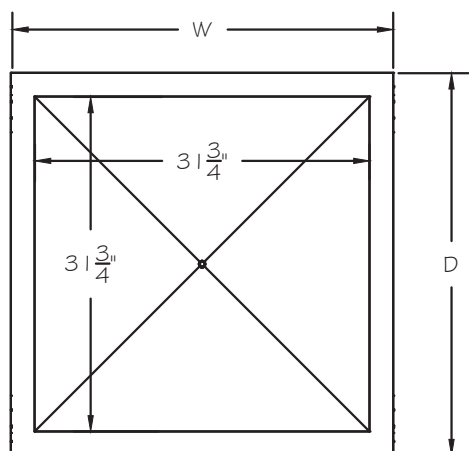


FEATURES

- 3½" Deep Insulated Stainless Steel Liner
- 3" Locking Casters
- Access Door w/Drain Kit
- Variety of Colors / Styles / Options

APPLICATIONS

- Use as a stand-alone for loose and packaged produce / meat / seafood or in an island setting
- Incorporate with JSI refrigerated and non-refrigerated products



| STYLE | ITEM # | LOWER SHELVING | SIZES W x D x H |
|-----------|----------|----------------|-----------------|
| SEBAGO | CSC-IBD | -S | 36" X 36" X 33" |
| BAXTER | CBAX-IBD | -S | |
| BRUNSWICK | CBC-IBD | -S | |

MATERIALS, FINISHES, FOAM, AND ACCESSORIES

Please refer to our "Styles, Groupings, Stains, and Accessories" brochure to see our wide range of materials, finishes, merchandising foam, and accessories.