

# HIGH-WALL BAKERY SHELVING



HIGH WALL SHELVING UNIT WITH  
ANGLED HARDWOOD SLATTED  
SHELVES



HIGH WALL SHELVING UNIT WITH  
ANGLED HARDWOOD SOLID  
SHELVES



HIGH WALL SHELVING UNIT SHOWN WITH ANGLED HARDWOOD  
SLATTED SHELVES AND OPTIONAL CRUSTY BREAD RACK



# HIGH-WALL BAKERY SHELVING

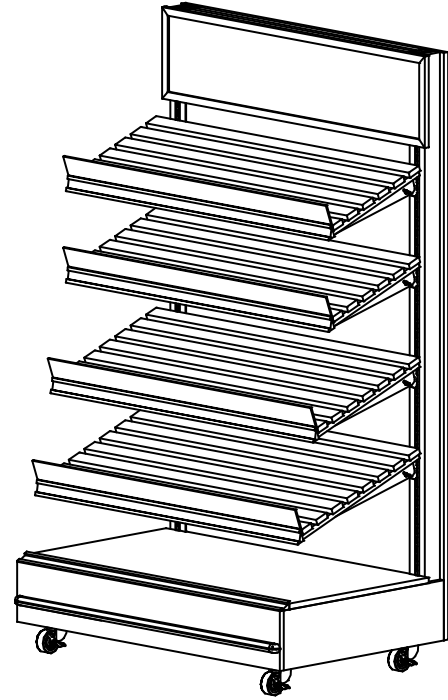
## DESCRIPTION

Our High Wall Bakery Shelving can be used as a department perimeter fixture, separating the production area from the sales floor, along a wall run, or along the back side of a shelving run. This fixture also can be used as an end cap.

## HIGH-WALL SHELVING UNIT SHOWN WITH ANGLED HARDWOOD SLATTED SHELVES WITH OPTIONAL BUMPER AND BACK PANEL

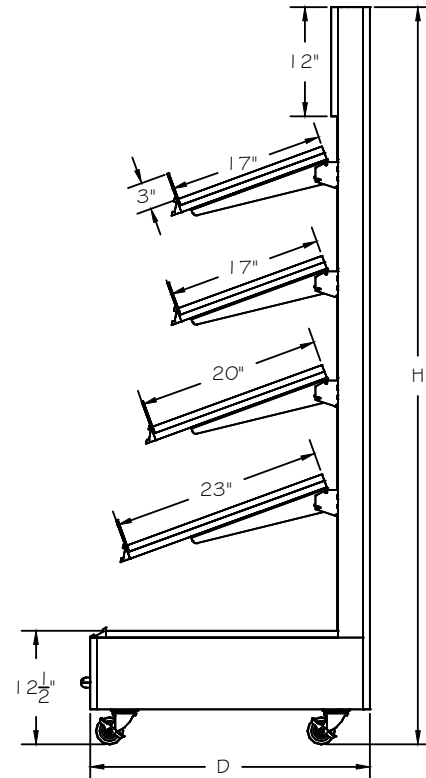
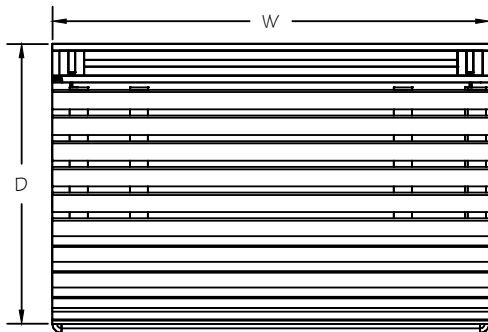
## FEATURES

- 4 Levels of Shelving for Bakery Items
- Available with Solid Shelves or Hardwood Slatted Shelves
- Plexi Product Stops on Shelves
- Fully Adjustable Shelves Can Be Angled or Straight
- Chalkboard Sign Holder
- 3" Casters for Mobility
- Variety of Colors/Options



## APPLICATIONS

- Use as a Stand-Alone or End Cap for Loose and Packaged Items
- Use in a Line-Up to Create a Bakery Wall



STYLE	ITEM #	SIZES W x D x H
HIGH-WALL BAKERY SHELVING	C-HWS	36" X 30" X 81" 48" X 30" X 81"

## MATERIALS, FINISHES, FOAM, AND ACCESSORIES

Please refer to our "Styles, Groupings, Stains, and Accessories" brochure to see our wide range of materials, finishes, and accessories.