

EURO TABLE



STANDARD



WITH PULLOUT
DRAWER



EURO TABLE

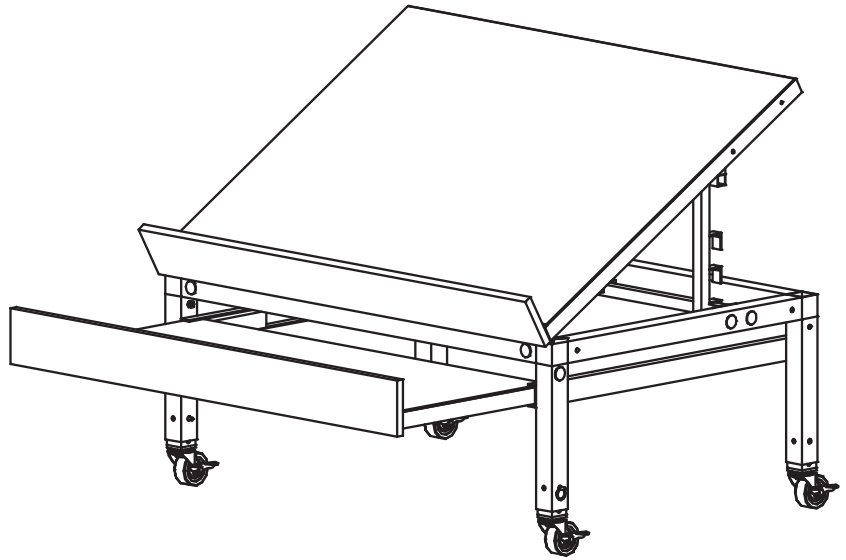
DESCRIPTION

JSI's Euro Table elevates product at 3 levels and has adjustable legs to allow for optimum merchandising. When combined with JSI's exclusive Antimicrobial Merchandising Foam, your display will always be full and fresh-looking.

SHOWN WITH OPTIONAL PULLOUT DRAWER

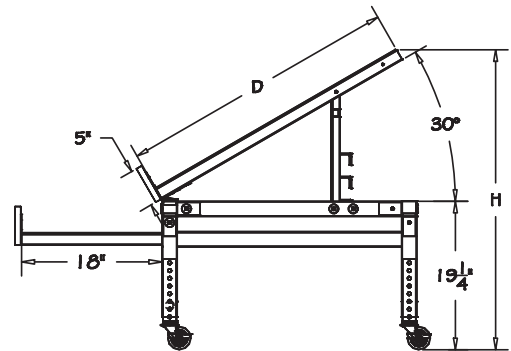
FEATURES

- Large Merchandising Area for Produce
- Adjustable Top w/ 3 Settings
- Adjustable Legs
- Wooden Front Board
- Variety of Colors / Options
- Optional Drawer Extends 18"



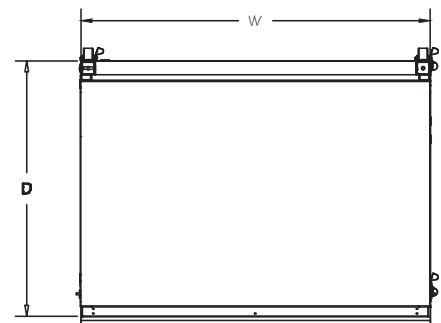
APPLICATIONS

- Use as a stand-alone spot merchandiser or end cap for loose and packaged produce or in an island setting
- Incorporate with JSI refrigerated and non-refrigerated products



STYLE	ITEM #	OPTIONAL DRAWER	SIZES W x D x H
EURO TABLE	C-ET	-S	48" X 48" X 44 7/8" 48" X 36" X 38 7/8" 36" X 48" X 44 7/8" 36" X 36" X 38 7/8"

AVAILABLE FOAM FOR ORCHARD BINS	
EXCLUSIVE JSI, CLOSED CELL, ANTIMICROBIAL FOAM	
STYLE	ITEM #
Banana Bed	FBB
Stone Fruit Riser	FSF
Perfect Riser	FPR
Step Riser	FSR
Pocket Pad	FPP
1/2" Pad	F.SP
1" Pad	FIP



MATERIALS, FINISHES, FOAM, AND ACCESSORIES

Please refer to our "Styles, Groupings, Stains, and Accessories" brochure to see our wide range of materials, finishes, merchandising foam, and accessories.