

CORNER CANOPY



**INSIDE CORNER
SHOWN ON
HIGH WALL WINE UNIT**

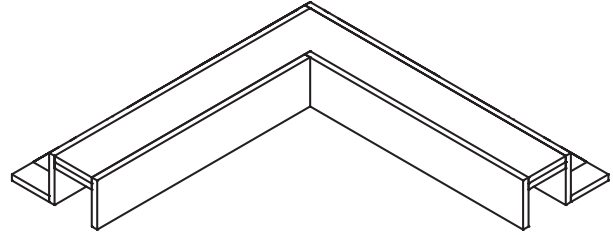


140 Park Street • Milo, Maine 04463 • 800.332.5507 **TEL** • 207.943.5632 **FAX** • JSISTOREFIXTURES.COM
Milo, Maine • Bangor, Maine • Payson, Utah • Greenville, South Carolina • Collingwood, Ontario

CORNER CANOPY

DESCRIPTION

Canopies provide a great location for category signs, as well as a location to add lighting for a wall run.



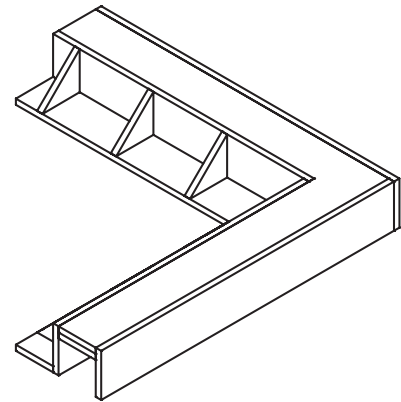
INSIDE CORNER CANOPY

FEATURES

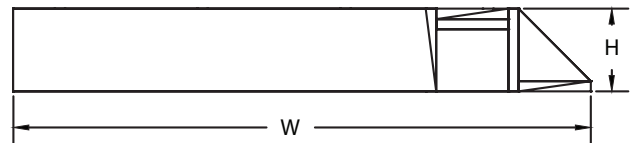
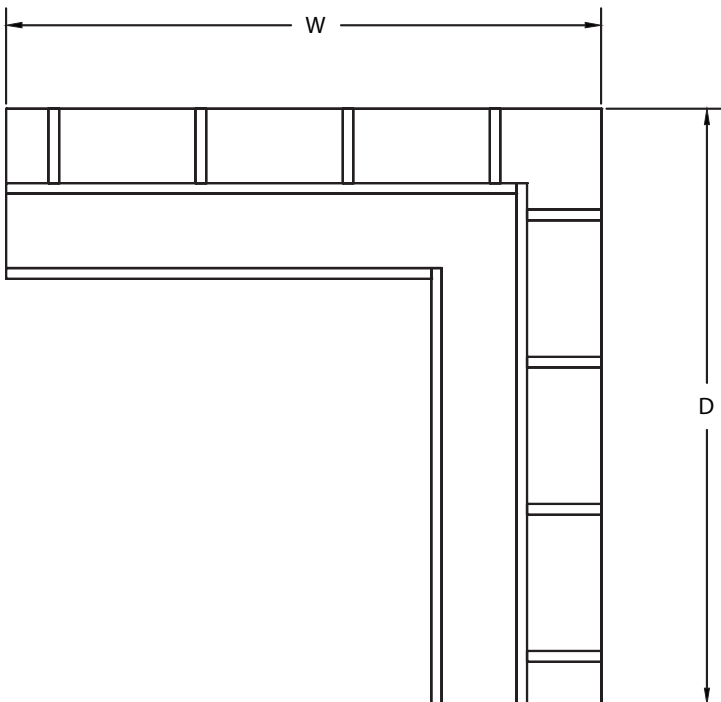
- Available in Versions for Inside or Outside Corners
- Optional Lighting Available
- Variety of Colors/Options

APPLICATIONS

- Use on High Level Shelving Units



OUTSIDE CORNER CANOPY



STYLE	ITEM #	SIZES W x D x H
CORNER CANOPY	C-WD-CCAN-IN C-WD-CCAN-OUT	36" X 36" X 6" 36" X 48" X 6" 48" X 36" X 6" 48" X 48" X 6"

MATERIALS, FINISHES, AND ACCESSORIES

Please refer to our "Stains and Accessories" brochure to see our wide range of materials, finishes, and accessories.