

BREAD RACK



BREAD RACK WITH ANGLED
SLATTED SHELVES



BREAD RACK WITH STRAIGHT
SLATTED SHELVES



BREAD RACK WITH ANGLED
SOLID SHELVES



BREAD RACK WITH STRAIGHT
SOLID SHELVES



BREAD RACK

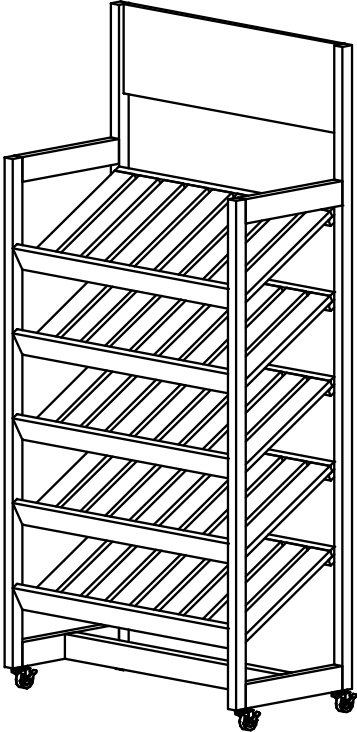
DESCRIPTION

Our versatile Bread Rack is available with slatted or solid shelves in an angled or straight position. Use it anywhere!

BREAD RACK SHOWN WITH ANGLED HARDWOOD SLATTED SHELVES

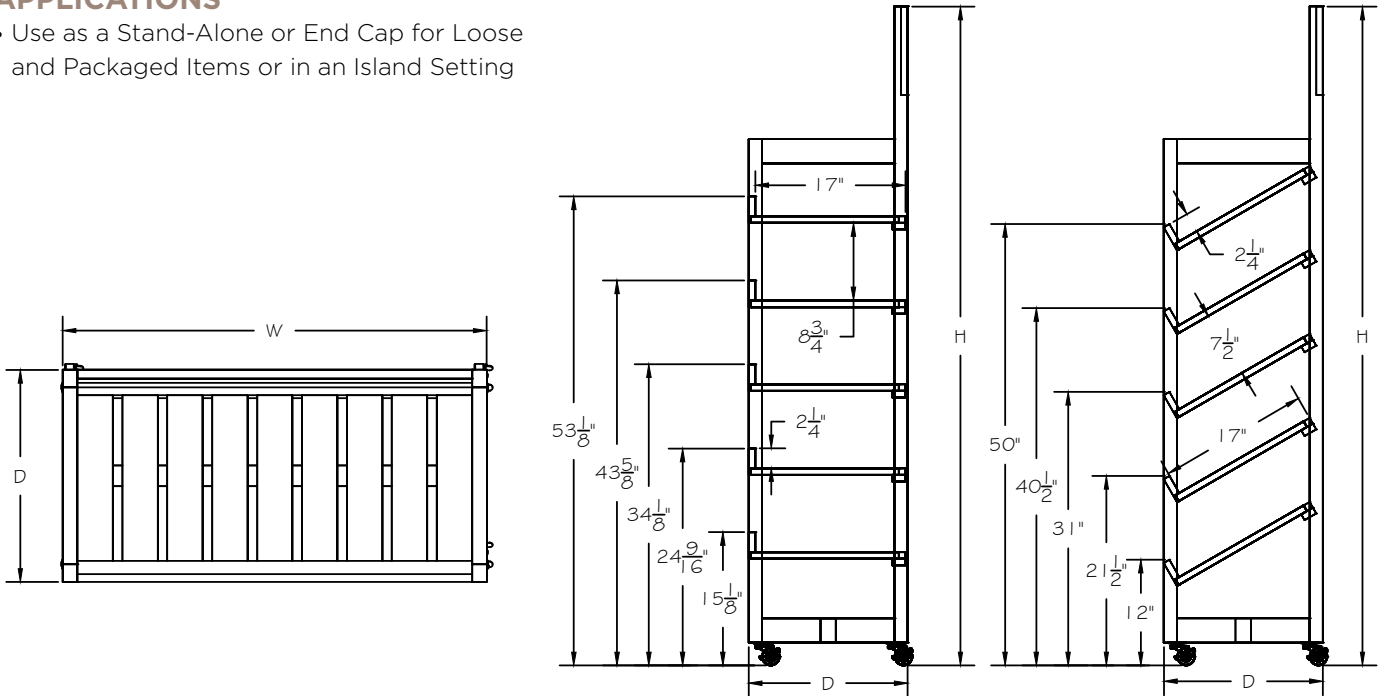
FEATURES

- 5 Levels of Shelving for Bakery Items
- Large Area for Signs
- Available with Solid Shelves or Hardwood Slatted Shelves
- Available with Straight or Angled Shelves
- Variety of Materials/Finishes/Options



APPLICATIONS

- Use as a Stand-Alone or End Cap for Loose and Packaged Items or in an Island Setting



STYLE	ITEM #	SIZES W x D x H
BREAD RACK	C-BR	24" X 18" X 72" 36" X 18" X 72"

MATERIALS, FINISHES, FOAM, AND ACCESSORIES

Please refer to our "Styles, Groupings, Stains, and Accessories" brochure to see our wide range of materials, finishes, and accessories.