

BREAD BAR SERVICE TABLE



140 Park Street • Milo, Maine 04463 • 800.332.5507 TEL • 207.943.5632 FAX • JSISTOREFIXTURES.COM
Milo, Maine • Bangor, Maine • Payson, Utah • Greenville, South Carolina • Collingwood, Ontario

BREAD BAR SERVICE TABLE

DESCRIPTION

JSI offers Bread Bar styles for any fresh bread program. Whether you have a scratch bakery and want to show off your ingredients or a great bake-off program, we have the right style and size to excite your customers!

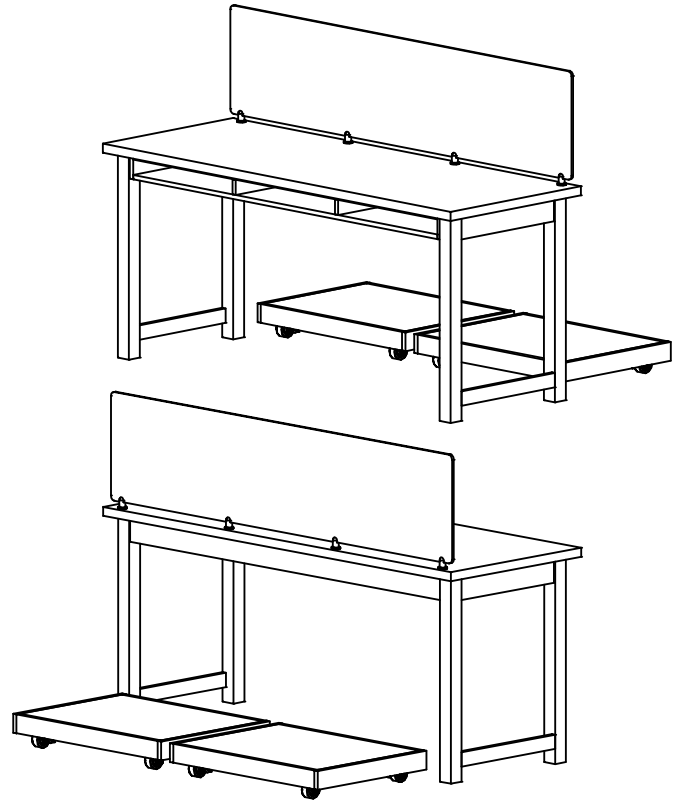
SERVICE TABLE STYLE BREAD BAR 84" L SHOWN WITH OPTIONAL LOWER FLOUR BAG SCOOTERS

FEATURES

- Service-Side Bag Slot for Packaging

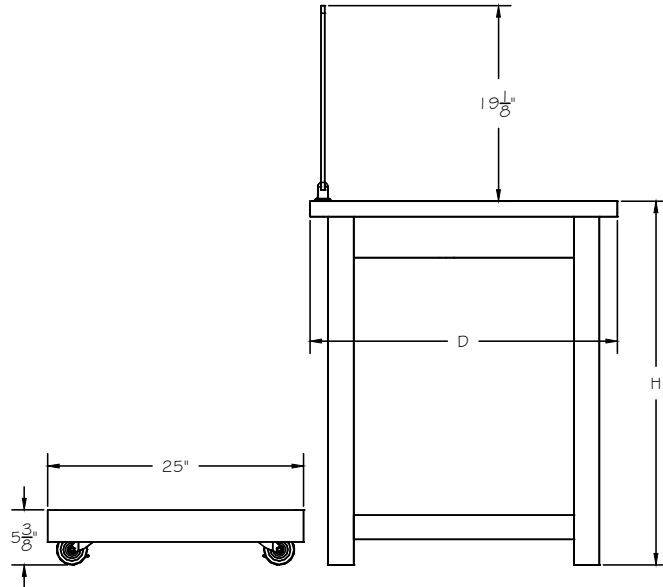
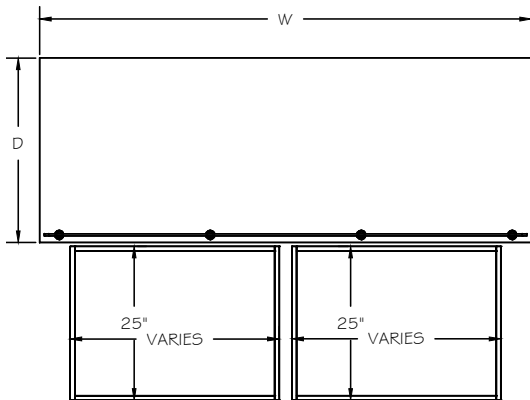
OPTIONS

- Floor Scooters for Scratch Bakery Flour Bag Storage
- Fixed or Adjustable Glass Shields on Left, Right, and Front
- Flip Back Glass Shield for Service and Self-Service
- Countertop Surfaces
- Removable Deck Shelves
- Variety of Materials / Stains / Options



APPLICATIONS

- Use with Glass for Service or without Glass for Self-Service Wrapped Breads
- Put in a Line-Up for Larger Displays



STYLE	ITEM #	SIZES W x D x H
BREAD BAR SERVICE TABLE	C-BBST	48" X 30" X 36" 60" X 30" X 36" 72" X 30" X 36" 84" X 30" X 36"

Consult JSI Sales Associate for Available Glass Shields and Countertop Surfaces

MATERIALS, FINISHES, AND ACCESSORIES

Please refer to our "Stains and Accessories" brochure to see our wide range of materials, finishes, and accessories.