

BAKERY

STAINS

JSI offers a range of finishes that look great and apply attractively on our standard variety of wood surfaces. One of these is sure to make an impression with your new design theme.



Early American
(Item #: STN 020)



MDI Cherry
(Item #: STN 024)



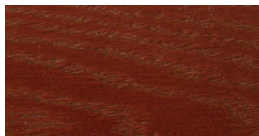
Clear Maple
(Item #: LAQ 102)



Victorian Mahogany
(Item #: STN 014)



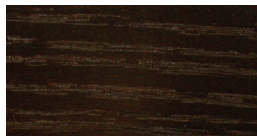
Rustic Gray
(Item #: STN 053)



Select Cherry
(Item #: STN 017)



Wild Cherry
(Item #: STN 005)



Bistro Walnut
(Item #: STN 035)



Clear Oak
(Item #: LAQ 102)

*Standard laminates are available.
Different materials will take stains differently.
Please contact Customer Service to request a sample.*

PROTECT YOUR FIXTURES

Give your displays the finishing touches that beautify and protect your investment.



CORNER GUARDS
Black
(Item #: AGL Black)



BUMPER
Black
(Item #: BMP 001 - 1" black bumper)

CRATES

Add to your fresh market look with some authentic field crates.

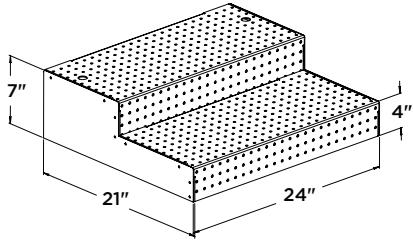


CRATE
18" L x 14" D x 11 1/2" H



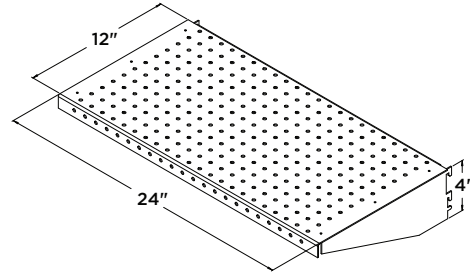
REFRIGERATION ACCESSORIES

2-STEP RISER



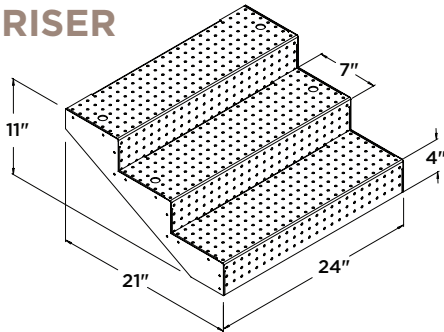
36" wide available for model RBS033

12" PRODUCT SHELF



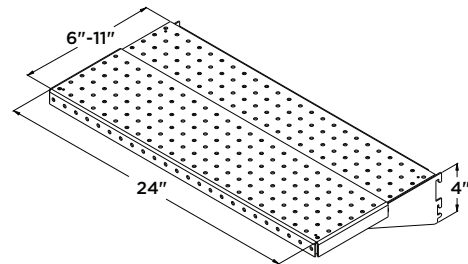
36" wide available for model RBS033

3-STEP RISER



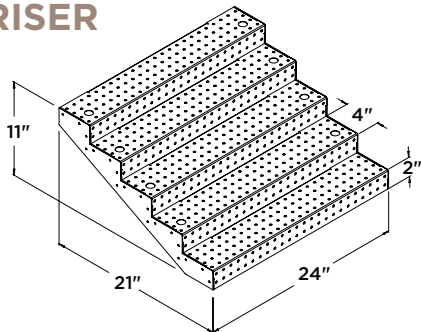
36" wide available for model RBS033

6" EXTENDABLE SHELF



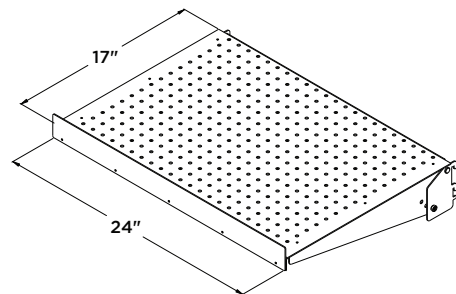
36" wide available for model RBS033

5-STEP RISER



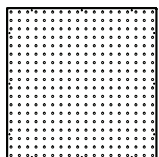
36" wide available for model RBS033

TILTABLE SHELF

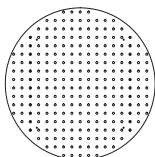


36" wide available for model RBS033

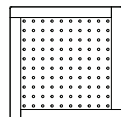
ADJUSTABLE PEDESTAL RISER



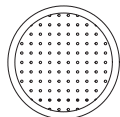
18" square



18" round



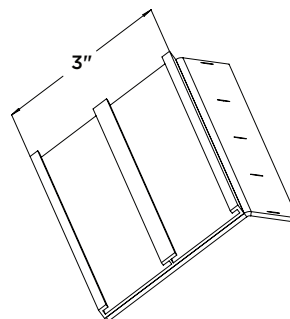
12" square



12" round

Each kit comes with one top and one 4" riser. Additional risers are available. All towers available with and without wood trim.

PRICE TAG MOLDING



Kit comes in 36" or 48"

